

grandMA Case Study

Vasco Rossi, Italy



■ grandMA – total control

Italian rocker Vasco Rossi

the voice of conscience

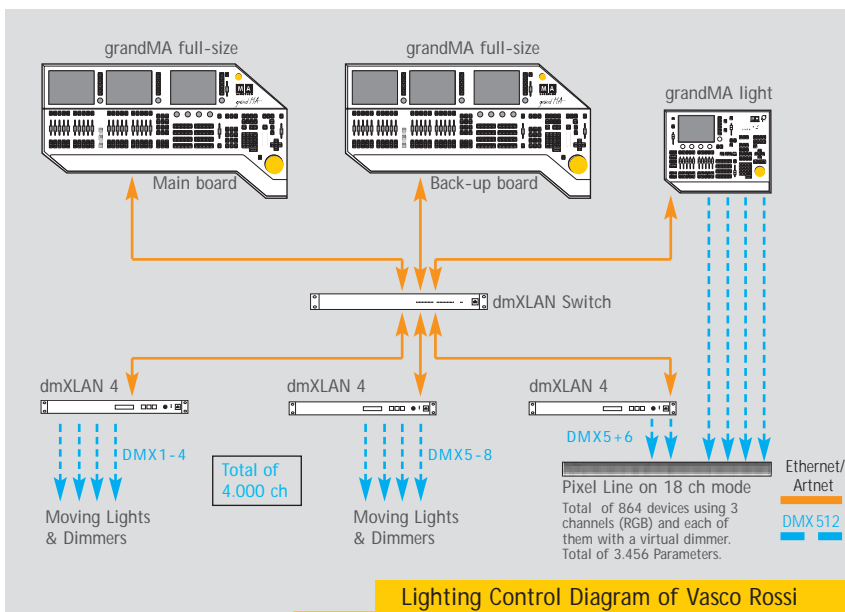
Network including grandMA lighting consoles for the "Buoni o Cattivi" summer tour



During his summer tour „Buoni o Cattivi“ (The Good or the Bad) between may and july the Italian superstar Vasco Rossi played in sold out stadiums and halls in Italy (e. g. in Rome, Bologna, Verona and Florence). More than 2 years he worked on his new studio album to present the message: "It´s dangerous to divide the world into good and bad." To present his meaningful songs in a very special way an impressive lighting concept including a lot of moving lights, LEDs and a total of three MA lighting control desks was created. Giovanni Pinna was the responsible lighting designer.

For the moving lights and dimmers 4000 channels were necessary. Two grandMA full-size consoles, with 4096 parameters each, were integrated in a network. One of these consoles was the main desk whereas the other one was used as backup. In addition one grandMA light (4096 channels) was included especially for the LED technology.

The DMX data from all consoles was sent to a LAN switch (local area network) via Artnet protocol and with the help of the Ethernet technology. As the heart of the network this switch divided the data to further LAN nodes. These nodes changed all the information from the artnet protocol into DMX 512 lines used for more than 270 moving lights and 864 LED fixtures.



„As an alternative to the LAN nodes we could also use network signal processors (NSP) to increase the performance of the complete system. The NSP itself is able to take over the calculating capacity of the console and therefore enables e.g. a real-time operation in a faster and synchronous way”, explained Oliver Rump, Lightpower’s MA expert. Using NSPs could have meant a tenfold speed increase of the data transfer, as in this case the speed of the artnet protocol was only 10 mbit/sec. On the contrary using the MA-net protocol would mean a transfer time of 100 mbit/sec as well as a synchronous DMX output.

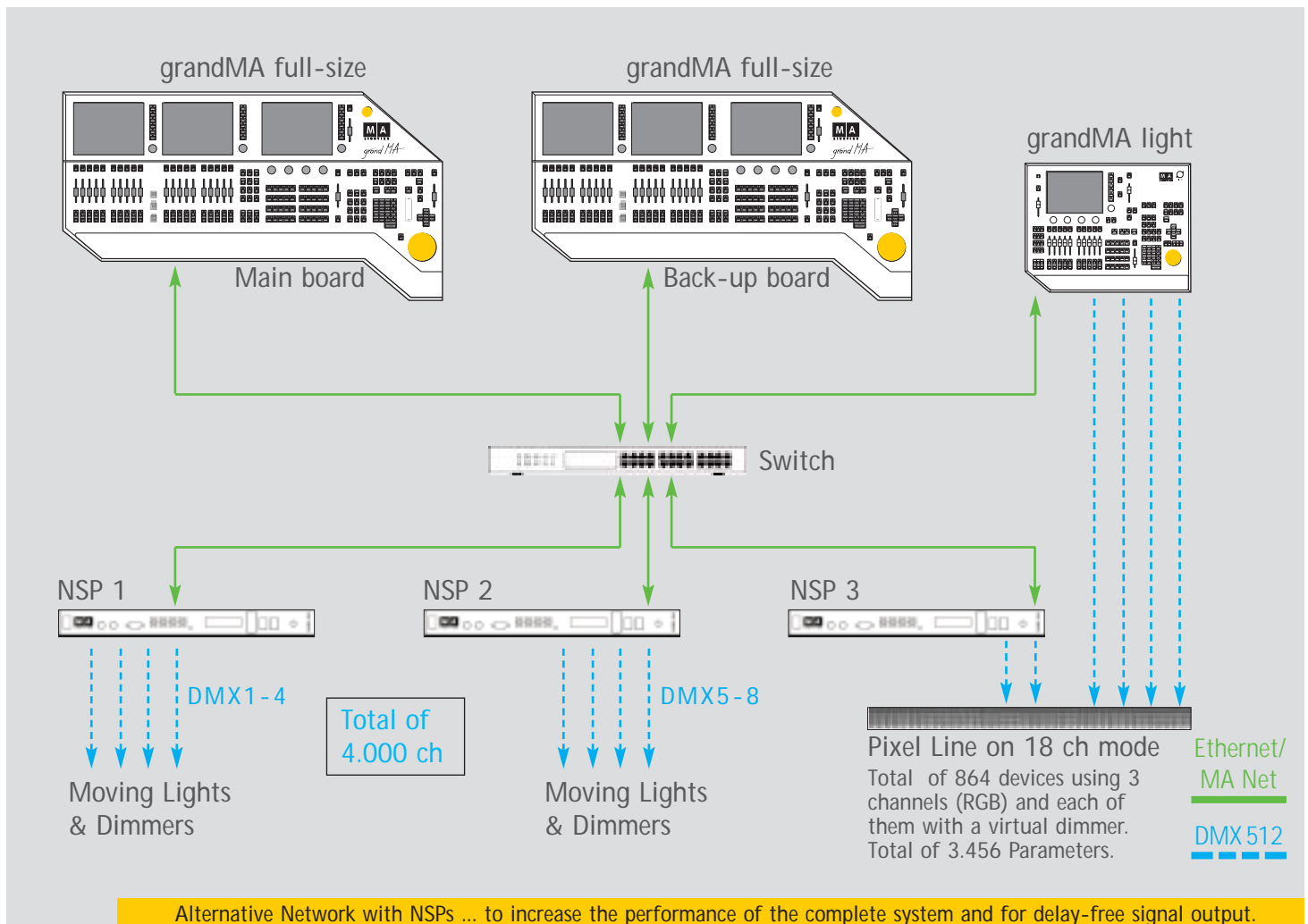
The company Limelite, Rome, provides the complete lighting equipment from their rental stock. Two of the grandMA consoles came from MA Lighting’s Italian distribution partner, GMep Molpass / San Giovanni in Persiceto. As the responsible lighting designers and operators were only used to work with Compulite lighting desks before, André Girard, who is absolutely used to the grandMA supported them. With his help the both got to know to all functions and features of the grandMA to be able to programm the show in the best possible way.

In his currish ironical song texts Vasco Rossi stands up for the lower class of the society: “My voice is the voice of those who do not have one. That’s why so many people like my music.” Although he is not that much famous abroad than Eros Ramazzotti he could sell his album very well and is meant to be a superstar.



Bill of Material (excerpt):

- 2 grandMA full-size (4,096 channels)
- 1 grandMA light (4,096 channels)
- 4 dmXLAN note4
- 1 dmXLAN switch8



Company Profile

■ Since its foundation in 1983, MA Lighting has expanded to become one of the internationally leading companies for computer-controlled light consoles, networking components and digital dimming systems. With integrated system solutions and the grandMA product family, international standards were set.

The leading international position of MA Lighting rests on two columns - MA Lighting Technology in Waldbuettelbrunn as the centre for production, research and development and MA Lighting International in Paderborn for marketing, distribution and technical support. Within a global service network, fast customer service and professional sales partners are ready to help users with advice and hands-on support when needed.



MA Lighting International GmbH

An der Talle 26-28

33102 Paderborn – Germany

Tel: +49 (0) 52 51 68 88 65 -10

Fax: +49 (0) 52 51 68 88 65 -88

info@malighting.de

www.malighting.de

© 2005 MA Lighting International GmbH

Version V.02

All technical specifications are subject to change without notification.

We do not assume liability for any incorrect information in this case study.