





Mirror 64PXL Wash

PA-MI-50300 64PXL LED Mirror Panel without internal partition, DMX control, RJ45 Connection

DESCRIPTION

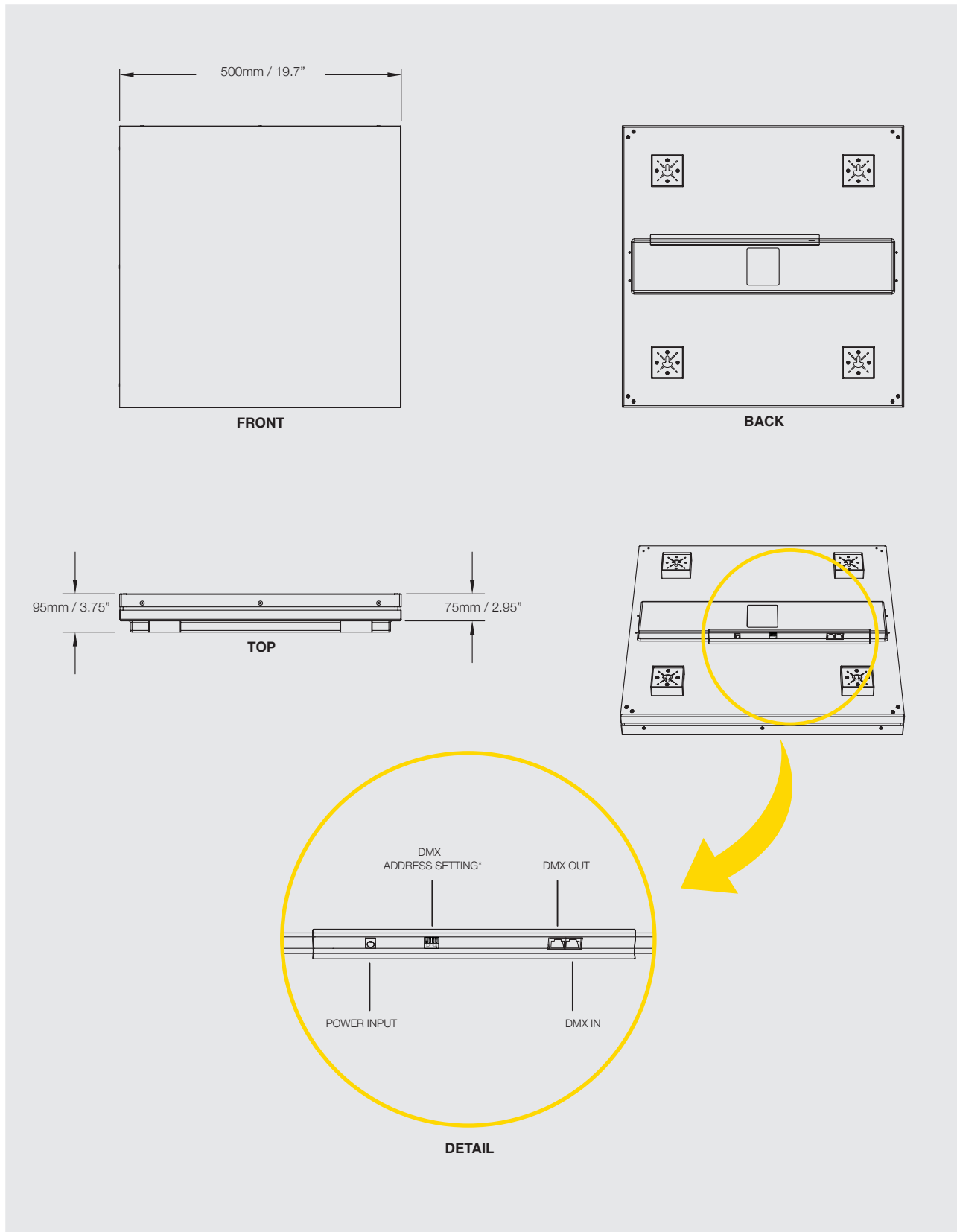
Comprised of 64 individually addressable pixels, the Traxon Mirror 64PXL panel, like mirrored building blocks, transforms any wall, floor, ceiling or any other interior application into a visually compelling environment. With the 62.5mm / 2.5" pixel pitch, the 64PXL panel is ideal for displaying low resolution video, text, animation and an endless array of graphic images.

TECHNICAL SPECIFICATIONS

COLOR RESOLUTION:	3 x 8 Bit (RGB)
COLOR RANGE:	16.7 million additive RGB colors with variable intensity
LIGHT SOURCE:	Ultra Bright LED (Light Emitting Diodes) 64 (64 red, 64 green, 64 blue)
LED:	Class 1 LED production conformed to standard EN60825-1:1994+A11:1996
SOURCE LIFE:	50,000 hours under normal operation conditions
LED PITCH:	62.5mm / 2.46"
ILLUMINANCE:	6.5 Lux
HUMIDITY:	0 to 90%
ENVIRONMENT:	
OPERATING TEMPERATURE:	range -15°C ~ +55°C / +4°F ~ +131°F
STORAGE TEMPERATURE:	range -40°C ~ +70°C / -40°F ~ +158°F
OPERATION VOLTAGE:	DC 24V
CURRENT CONSUMPTION:	3A max.
POWER CONSUMPTION:	72W max.
POWER SUPPLY	Model No.: AC-PS-00009 100~240VAC I/P, 24VDC O/P, 320W System Power Supply listed UL, CUL, TÜV, CB & CE 
CONTROL:	Mirror 64PXL Wash (DMX) is controlled by DMX 512 protocol (For further information, please refer to the product manual)
AC POWER CORD:	2m / 78.74", exchangeable for worldwide use, listed UL, CE and GS
DC POWER CORD:	5m / 200", listed UL, CE and GS
DATA CABLE:	1.5m / 60" RJ-45 Data Cable (Maximum length: 10m / 400")
COMMUNICATION CORDS:	Data Protocol: DMX-512 Control: DMX-512 controllers Data Connector: RJ-45 (Pin1: DMX-, Pin2: DMX+, Pin3: GND) Data Cable max. length: 100m / 328.34' from DMX controller to the last fixture, daisy-chained, using CAT5E cable
ADDRESS:	Two selectable group addresses by DIP switch Address range: 1-192 (DIP1 = OFF) Address range: 193-384 (DIP1 = ON)
INTERCONNECTION:	Mirror 64PXL Wash (DMX) can be interconnected directly
SIZE:	500mm x 500mm x 95mm / 19.70" x 19.70" x 3.75"
NET WEIGHT:	approx. 7.0kgs / 15.4lbs
HOUSING:	Tempered glass mirror, front cover with plastic frame Plastic molded PS back cover
GLOBAL SAFETY APPROVALS:	conform to the relevant Radio, EMC, Health and Safety requirement under RTTE Directive EN300220-3V1.1.1, EN31489-1:V1.4.1:2002 EN301489-3:V1.4.1:2002, EN50371:2002, WN60065:2002

Mirror 64PXL Wash

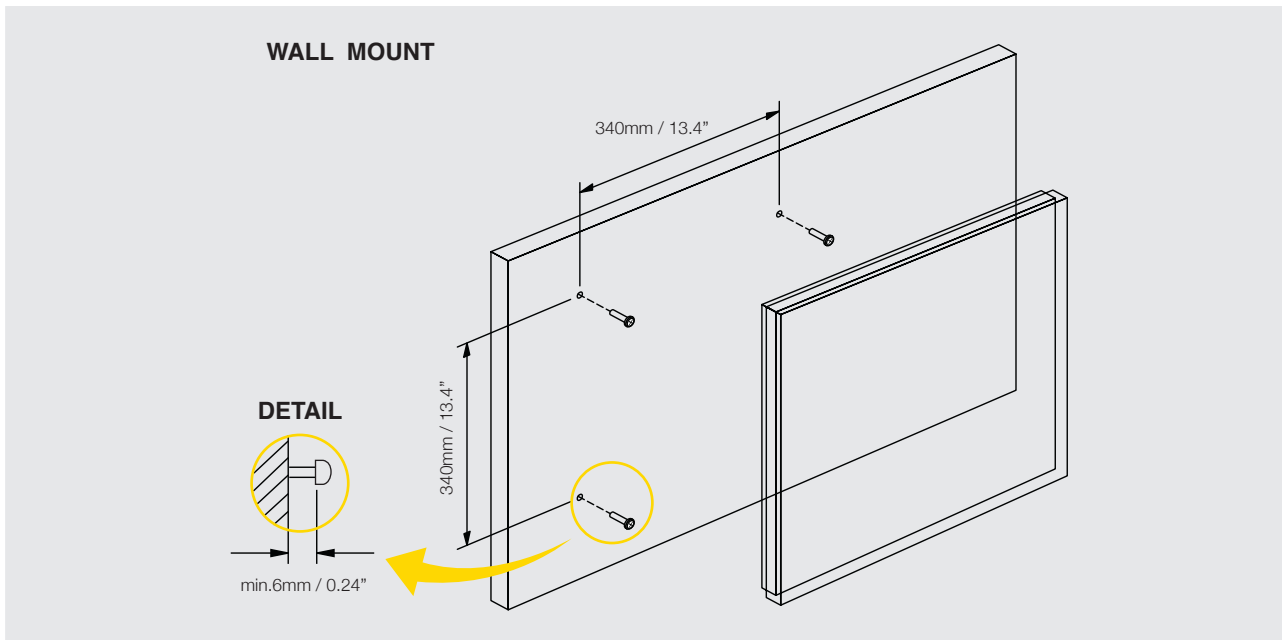
➤ TECHNICAL DRAWING



*For further information, please refer to the product manual

Mirror 64PXL Wash

➤ MOUNTING - WALL MOUNT



➤ TECHNICAL DRAWING - CONNECTION

