

Tile 64PXL Wash (DMX)

PA-TI-50300 64PXL LED Panel without internal partition, DMX control, frameless, RJ45 Connection

DESCRIPTION

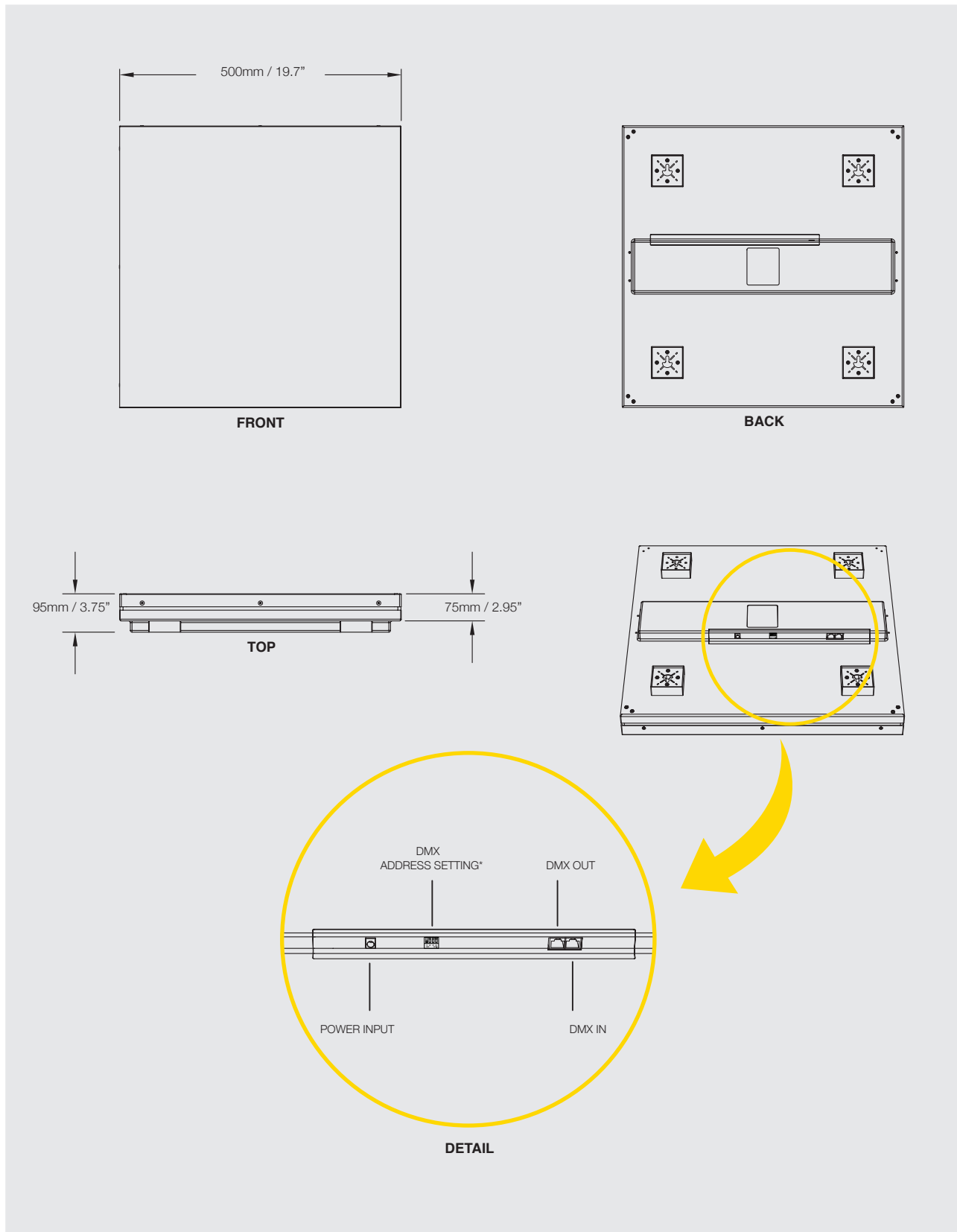
Comprised of 64 individually addressable pixels, the Traxon Tile 64PXL Wash, like building blocks, transforms any wall, floor, ceiling or any other interior application, into a visually compelling environment. With the 62.5mm / 2.5" pixel pitch, the 64PXL Wash panel is ideal for displaying low resolution video, text, animation and an endless array of graphic images. This panel is also available in a Matrix version where each pixel is isolated by an internal divider, providing a more digital look.

TECHNICAL SPECIFICATIONS

COLOR RESOLUTION:	3 x 8 Bit (RGB)
COLOR RANGE:	16.7 million additive white colors with variable intensity
LIGHT SOURCE:	Ultra Bright LED (Light Emitting Diodes)
LED:	Class 1 LED production conformed to standard EN60825-1:1994+A11:1996
LED PITCH:	62.5mm / 2.46"
ILLUMINANCE:	35 Lux
SOURCE LIFE:	50,000 hours under normal operating conditions
HUMIDITY:	0 to 90%
ENVIRONMENT:	
OPERATING TEMPERATURE:	range -15°C ~ +55°C / +4°F ~ +131°F
STORAGE TEMPERATURE:	range -40°C ~ +70°C / -40°F ~ +158°F
OPERATION VOLTAGE:	DC 24V
CURRENT CONSUMPTION:	3A max.
POWER CONSUMPTION:	72W
POWER SUPPLY:	Model no.: AC-PS-00009 100 ~ 240VAC I/P, 24VDC O/P, 320W System Power Supply listed UL, CUL, TÜV, CB & CE
CONTROL:	Tile 64PXL Wash (DMX) is controlled by DMX 512 protocol (For further information, please refer to the product manual)
AC POWER CORD:	2m / 78.74", exchangeable for worldwide use, listed UL, CE and GS
DC POWER CORD:	Maximum length: 7.5m / 295.5"
DATA CABLE:	1.5m / 60" RJ-45 Data Cable (max length: 10m / 400")
COMMUNICATION CORDS:	Data Protocol: DMX-512 Control: DMX-512 controllers Data Connector: RJ-45 (Pin1: DMX-, Pin2: DMX+, Pin3: GND) Data Cable max. length: 100m / 328.34' from DMX controller to the last fixture, daisy-chained, using CAT5E cable
ADDRESS:	Two selectable group addresses by DIP switch Address range: 1-192 (DIP1 = OFF) Address range: 193-384 (DIP1 = ON)
INTERCONNECTION:	Tile 64 PXL Wash (DMX) can be interconnected directly
SIZE:	500mm x 500mm x 95mm / 19.70" x 19.70" x 3.75"
NET WEIGHT:	approx. 4.5kgs / 9.9lbs
HOUSING:	Translucent molded high grade diffusion plastic front cover Plastic molded PS back cover
GLOBAL SAFETY APPROVALS:	conformed to the relevant Radio, EMC, Health and Safety requirement under RTTE Directive EN300220-3V1.1.1, EN31489-1:V1.4.1:2002 EN301489-3:V1.4.1:2002, EN50371:2002, WN60065:2002

Tile 64PXL Wash (DMX)

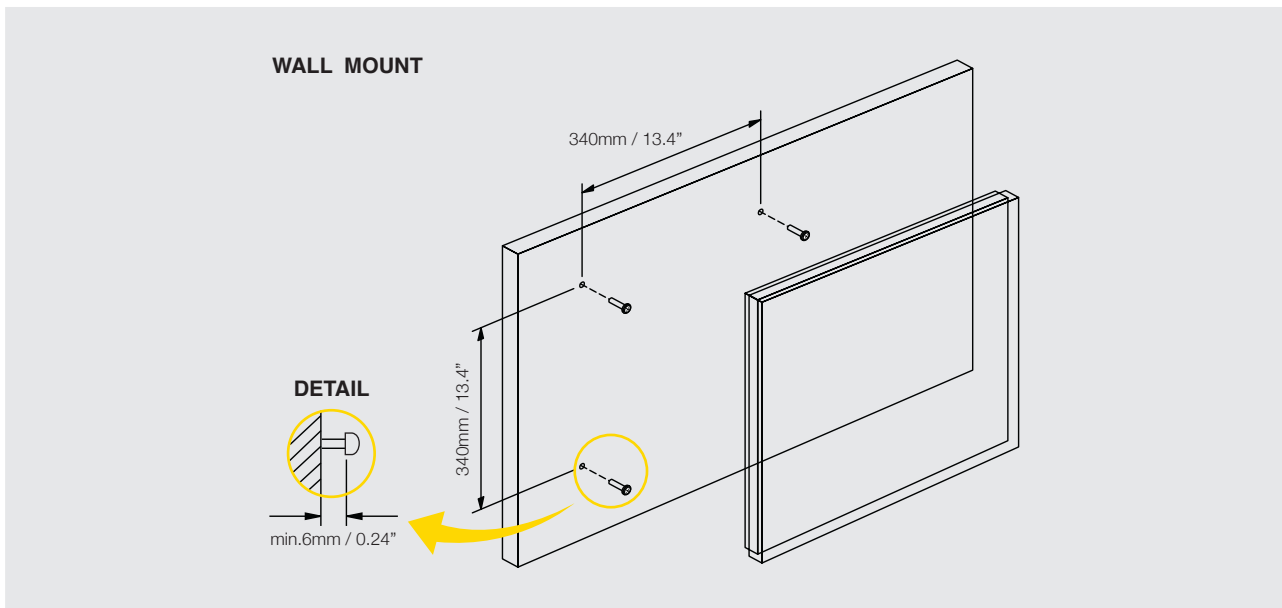
➤ TECHNICAL DRAWING



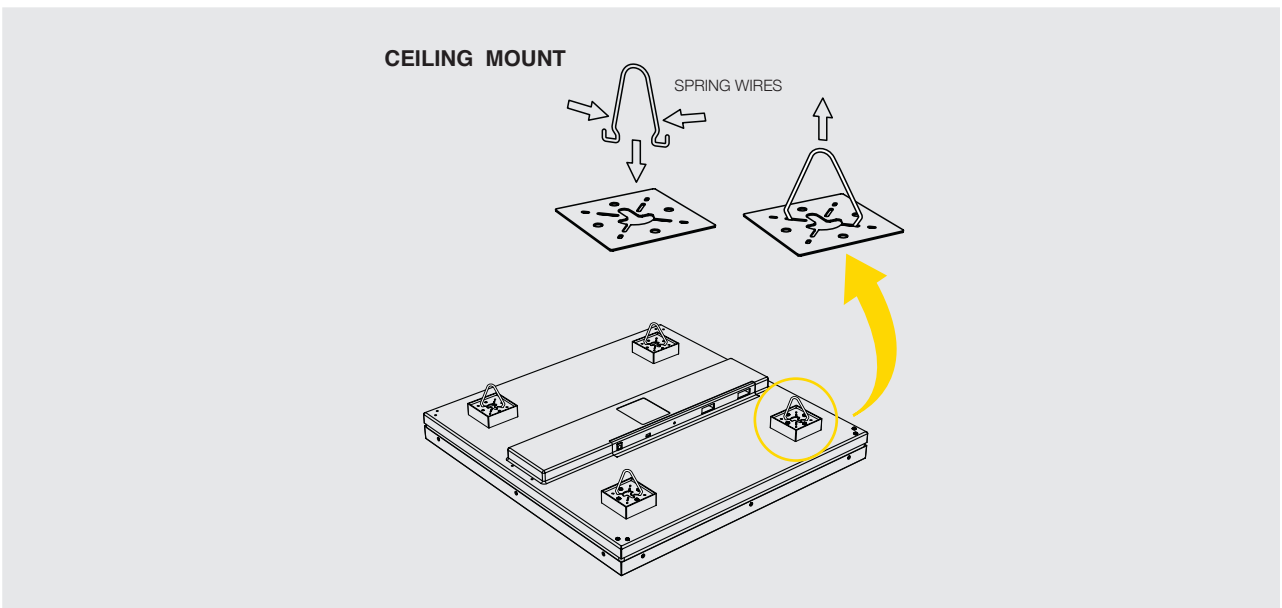
*For further information, please refer to the product manual

Tile 64PXL Wash (DMX)

➤ MOUNTING - WALL MOUNT



➤ MOUNTING - CEILING MOUNT



* For further information, please refer to the product manual

Tile 64PXL Wash (DMX)

TECHNICAL DRAWING - CONNECTION

