



Classic (DMX)

PA-CL-50000 LED Panel, DMX control, aluminium frame, RJ45 Connection

DESCRIPTION

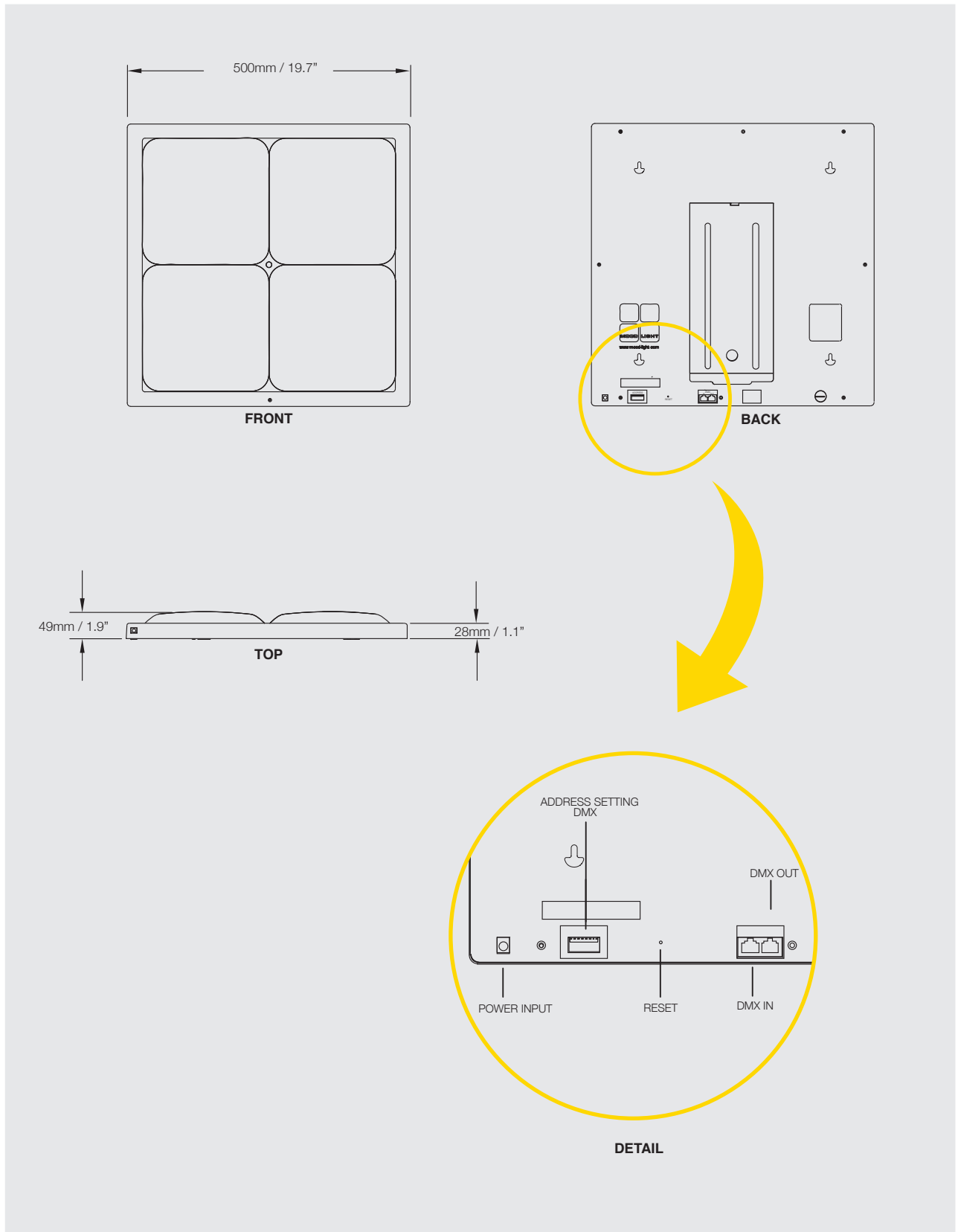
With its symmetrical 4 pixel design and lightweight, the Traxon Classic panel provides endless possibilities for creating a visually compelling experience of endless colors and sequences. Controlled via DMX protocol, the panel can be easily controlled in medium to large scale installations by any standard DMX512 controller or Traxon Butler (LM-CS-50041) for a user friendly plug and play solution.

TECHNICAL SPECIFICATIONS

COLOR RESOLUTION:	3 x 8 Bit (RGB)
COLOR RANGE:	16.7 million additive RGB colors with variable intensity
LIGHT SOURCE:	Ultra Bright LED (Light Emitting Diodes)
LED:	Class 1 LED production conformed to standard EN60825-1:1994+A11:1996
SOURCE LIFE:	50,000 hours under normal operation conditions
ILLUMINANCE:	10 Lux
HUMIDITY:	0 to 90%
ENVIRONMENT:	 INDOOR WET IP65 WET IP66 WET IP67 SUBMERSIBLE IP68
OPERATING TEMPERATURE:	range -15°C ~ +55°C / +4°F ~ +131°F
STORAGE TEMPERATURE:	range -40°C ~ +70°C / -40°F ~ +158°F
OPERATION VOLTAGE:	DC 5V
CURRENT CONSUMPTION:	3A max.
POWER CONSUMPTION:	15W max.
POWER SUPPLY	Model No.: AC-PS-00001 or AC-PS-00002 90~240VAC I/P, 5VDC O/P, 3.5A Power Supply listed UL, TÜV/GS & TÜV/PSE
CONTROL:	Classic (DMX) is controlled by DMX 512 protocol (For further information, please refer to the product manual)
AC POWER CORD:	2m / 78.74", exchangeable for worldwide use, listed UL, CE and GS
DC POWER CORD:	2m / 78.74", listed UL, CE and GS
DATA CABLE:	1.5m / 60" RJ-45 Data Cable (Maximum length: 10m / 400")
COMMUNICATION CORDS:	Data Protocol: DMX-512 Control: DMX-512 controllers Data Connector: RJ-45 (Pin1: DMX-, Pin2: DMX+, Pin3: GND)
INTERCONNECTION:	Classic (DMX) can be interconnected directly
SIZE:	500mm x 500mm x 49mm / 19.70" x 19.70" x 1.90"
NET WEIGHT:	approx. 2 kgs / 4.4lbs
HOUSING:	Translucent molded high grade diffusion plastic front cover Plastic molded PS back cover
GLOBAL SAFETY APPROVALS:	conform to the relevant Radio, EMC, Health and Safety requirement under RTTE Directive EN300220-3V1.1.1, EN31489-1:V1.4.1:2002 EN301489-3:V1.4.1:2002, EN50371:2002, WN60065:2002

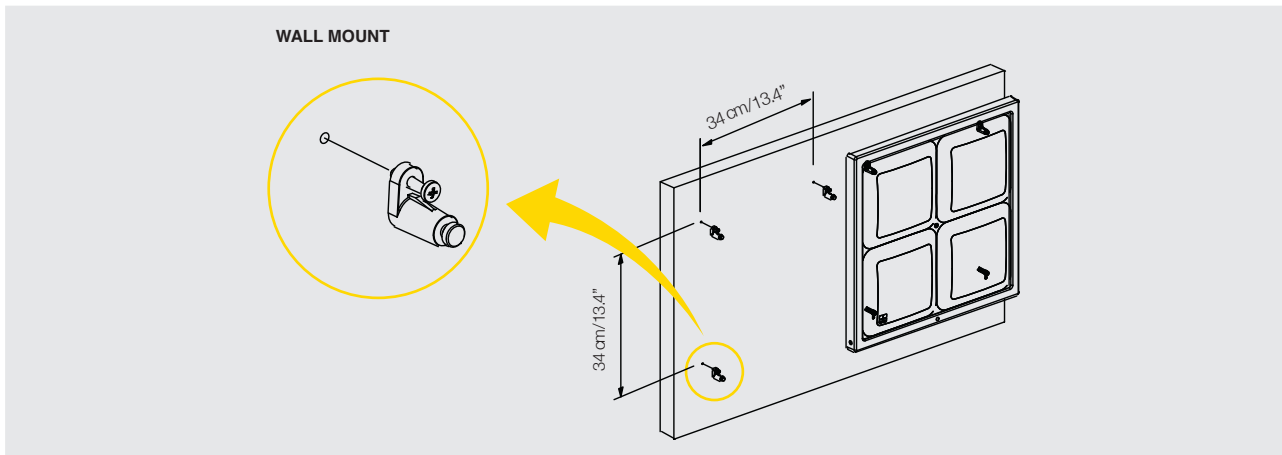
Classic (DMX)

TECHNICAL DRAWING

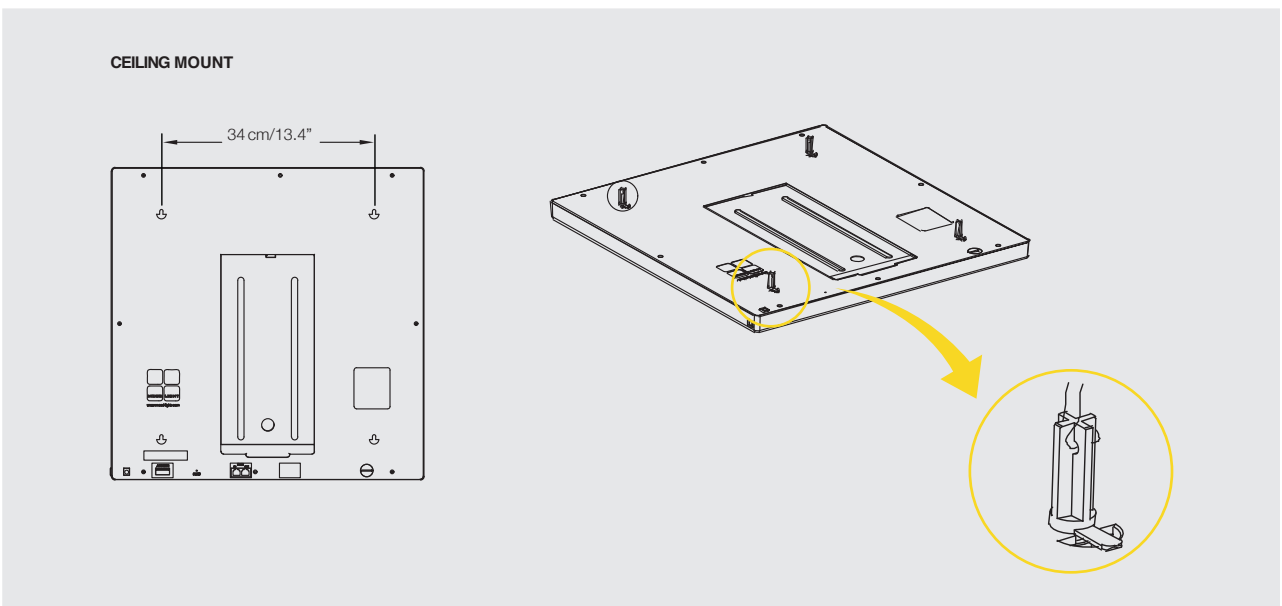


Classic (DMX)

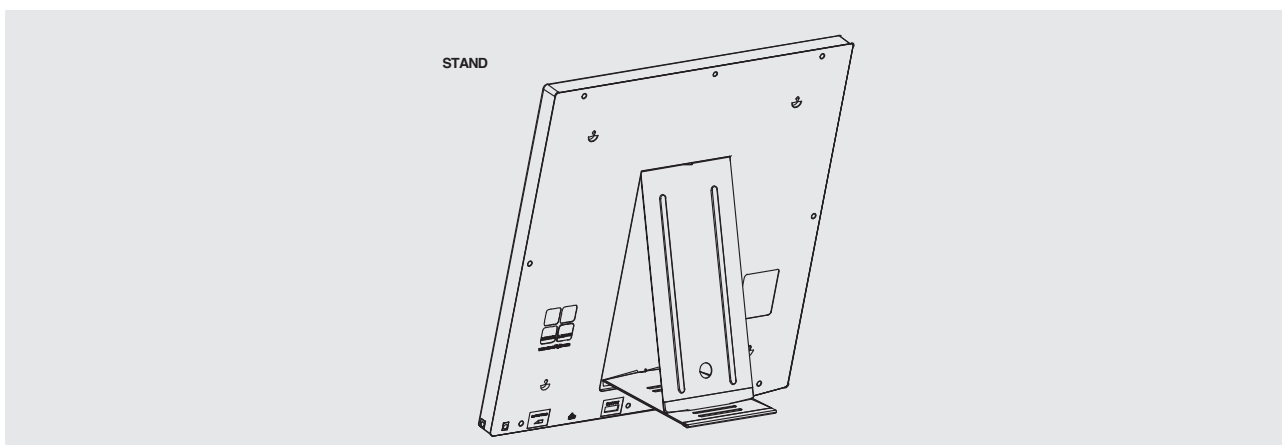
➤ MOUNTING - WALL MOUNT



➤ MOUNTING - CEILING MOUNT



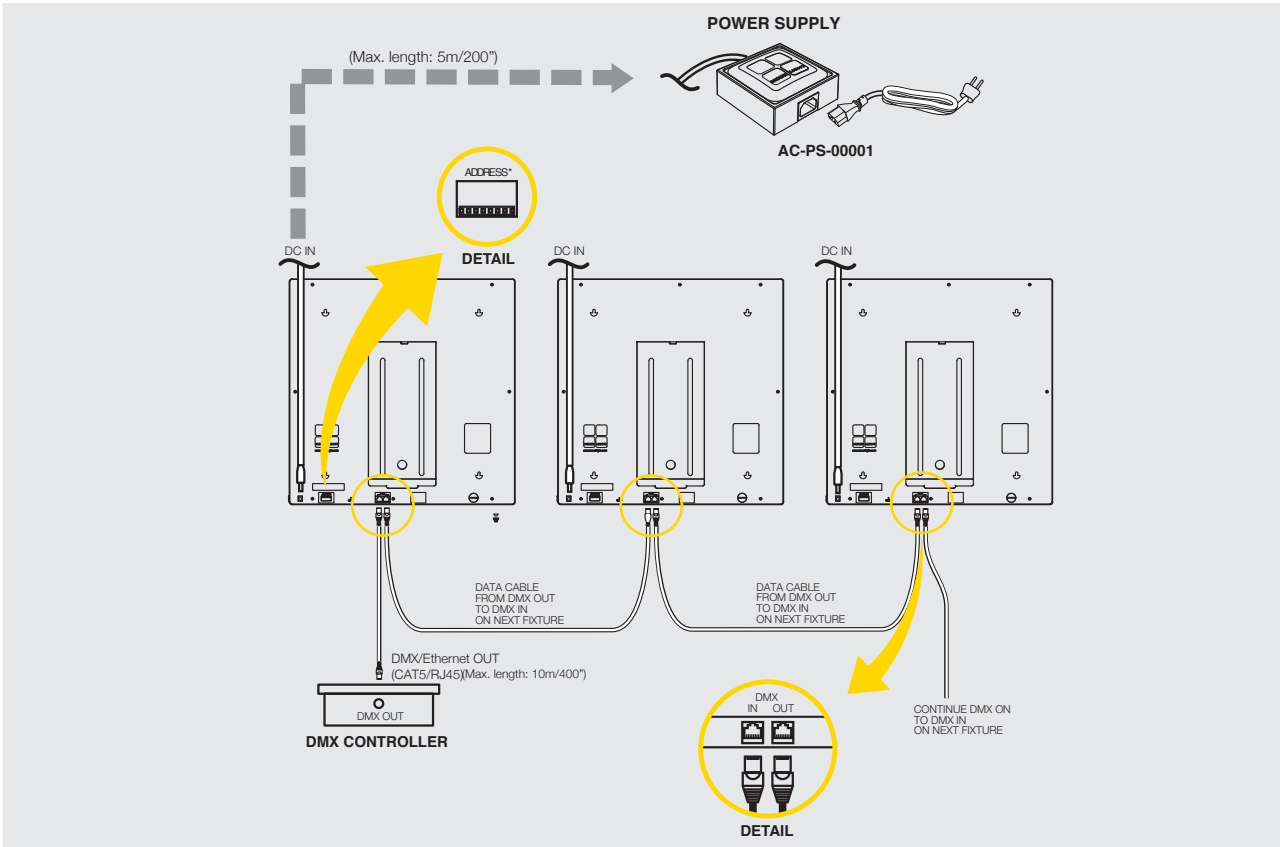
➤ STAND



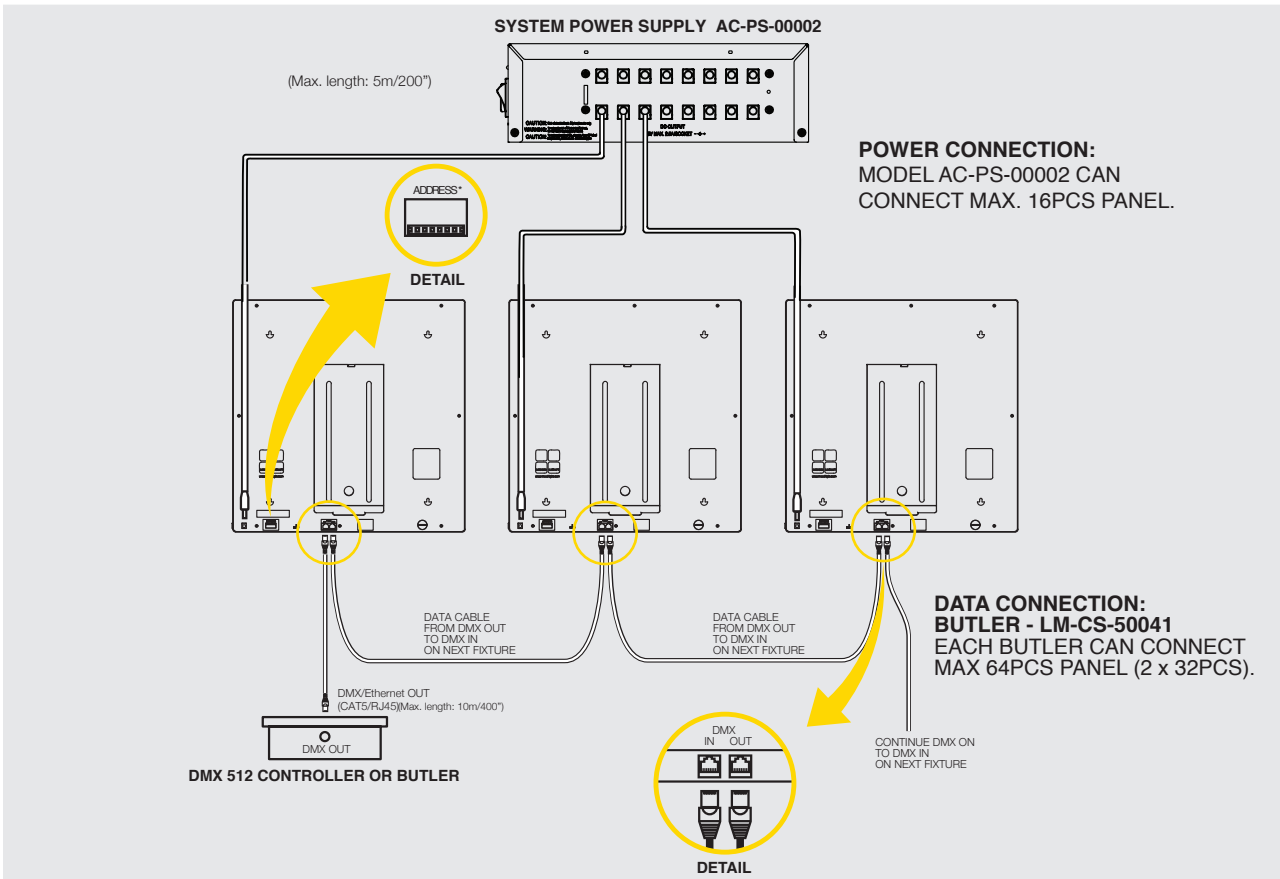
* For further information, please refer to the product manual

Classic (DMX)

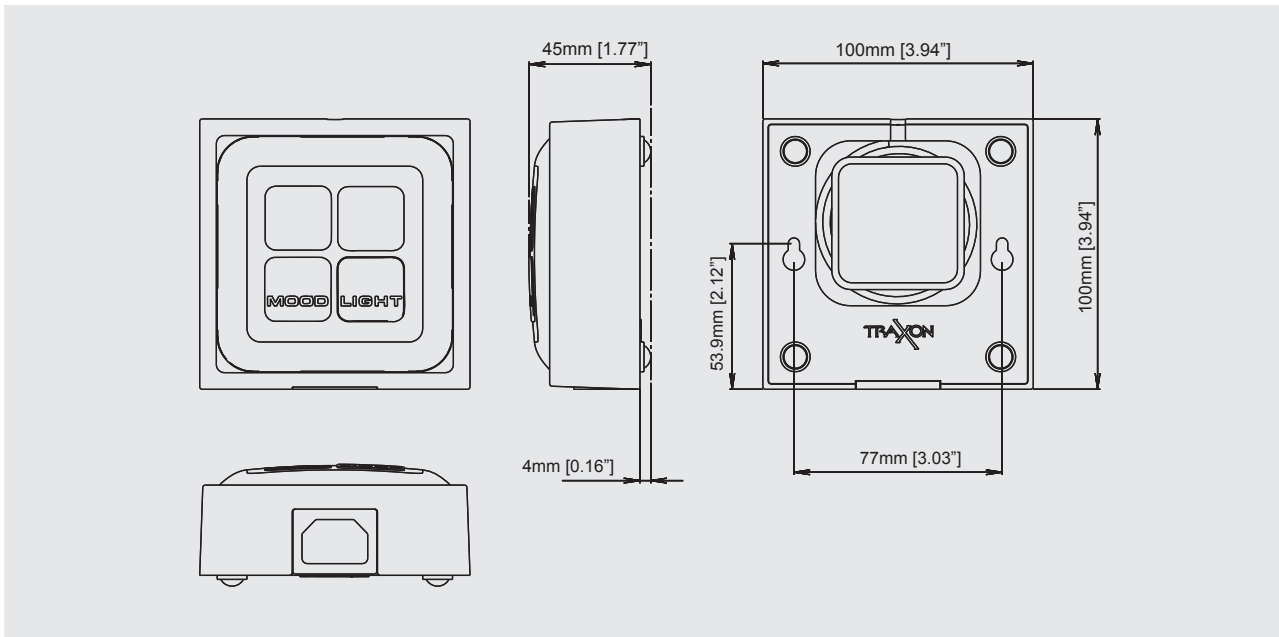
TECHNICAL DRAWING - CONNECTION



TECHNICAL DRAWING - CONNECTION



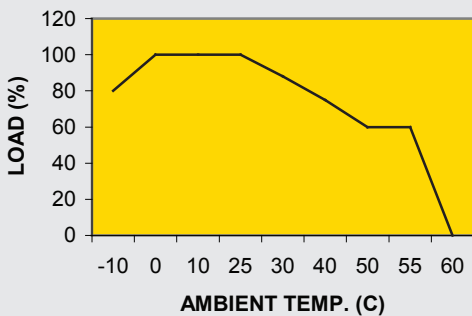
➤ TECHNICAL DRAWING - POWER SUPPLY



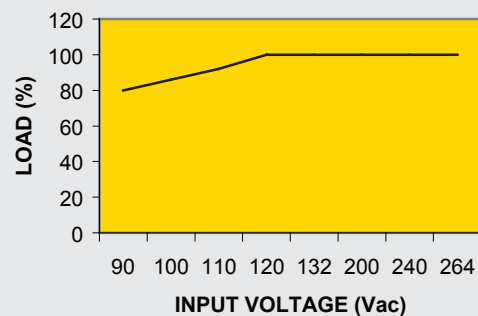
➤ TECHNICAL SPECIFICATIONS

SYSTEM POWER SUPPLY:	MODEL AC-PS-00001
AC INPUT VOLTAGE:	95~240V AC
AC INPUT CURRENT:	1.5A max.
DC OUTPUT VOLTAGE:	5V DC
OUTPUT POLARITY	Center Positive
DC OUTPUT CURRENT:	3.5A
RATE POWER:	18W
INTERNATION STANDARD:	UL/CUL, CE, GS, PSE Listed
AC POWER CORD:	Detachable for worldwide use, listed UL and CE
OPERATION TEMPERATURE:	Humidity 80% RH ±5%; Range -10°C ~ +30°C
STORAGE TEMPERATURE:	Range -40°C ~ +70°C
DIMENSION:	L100mm x W100mm x H40mm
REMARK:	All parameters are mesured at 230V AC input, rated load and 25°C of ambient temperature

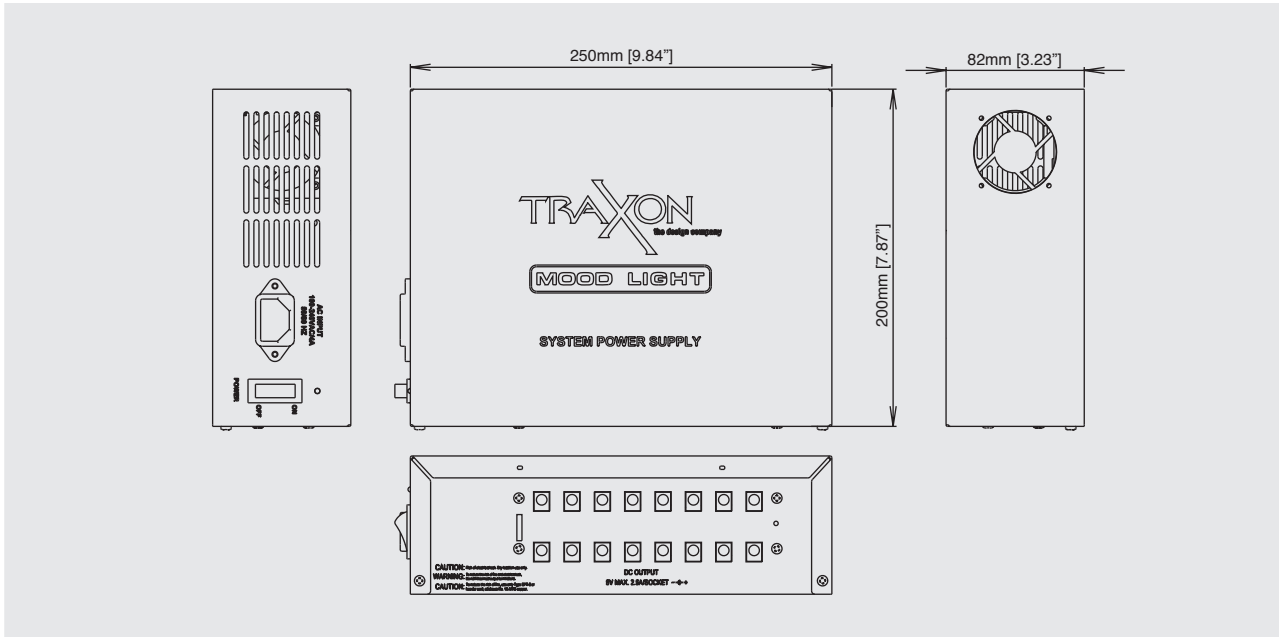
OUTPUT DERATING VS AMBIENT TEMPERATURE



OUTPUT DERATING VS INPUT VOLTAGE



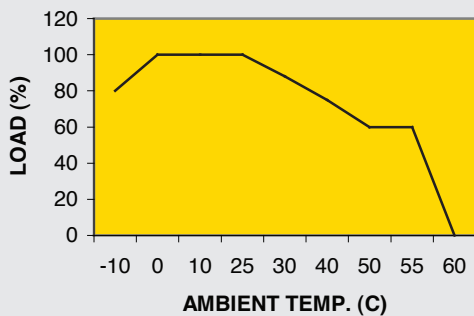
➤ TECHNICAL DRAWING - SYSTEM POWER SUPPLY



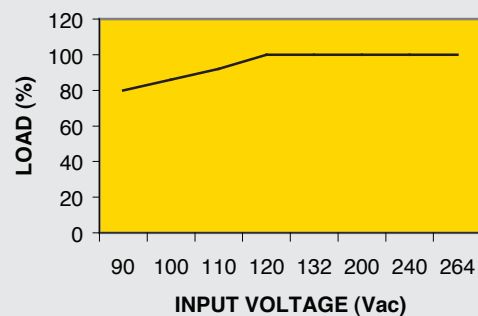
➤ TECHNICAL SPECIFICATIONS

SYSTEM POWER SUPPLY:	MODEL AC-PS-00002
AC INPUT VOLTAGE:	100~240V AC
AC INPUT CURRENT:	4A max.
DC OUTPUT VOLTAGE:	5V DC
DC OUTPUT CURRENT:	2.5A max. per DC socket (total 16 sockets) Internal Power Supply listed UL and CE
OUTPUT PROTECTION	Build in fuse
AC POWER CORD:	Detachable for worldwide use, listed UL and CE
APPROVAL:	UL listed
OPERATION TEMPERATURE:	Range -10°C ~ +30°C
STORAGE TEMPERATURE:	Range -40°C ~ +70°C
DIMENSION:	L250mm x W200mm x H82mm
REMARK:	All parameters are measured at 230V AC input, rated load and 25°C of ambient temperature

OUTPUT DERATING VS AMBIENT TEMPERATURE



OUTPUT DERATING VS INPUT VOLTAGE



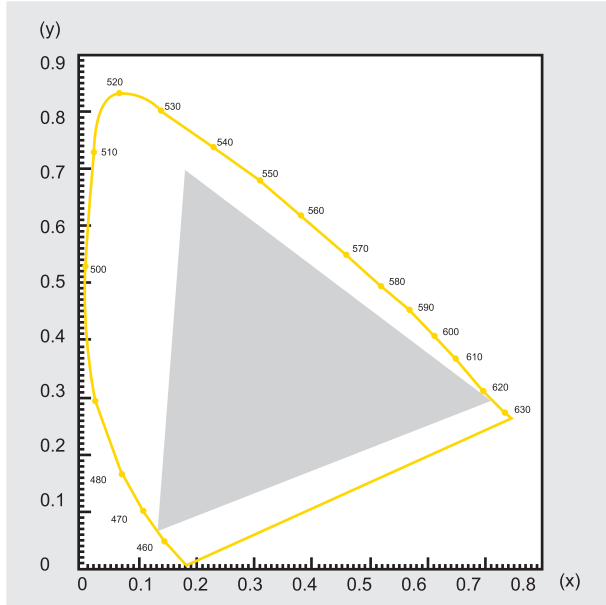
Classic (DMX)

PHOTOMETRIC PERFORMANCE

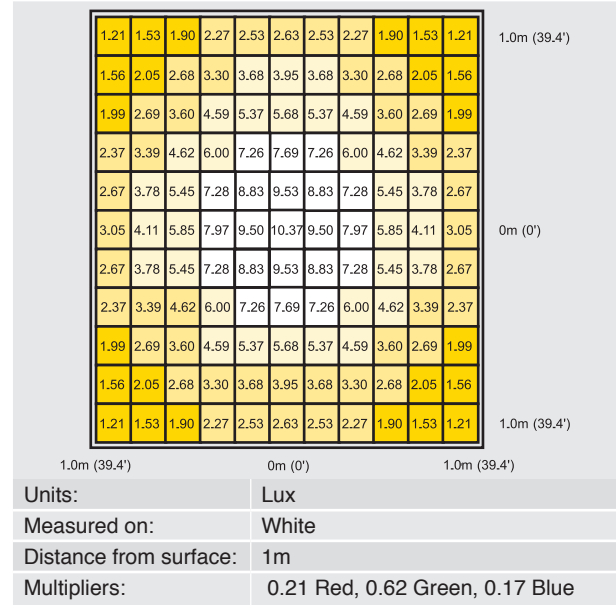
SOURCE SPECIFICATIONS

OPTICS:	White translucent diffuser
SOURCE:	92 LEDs (28 Red, 32 Green, 32 Blue)
BEAM ANGLE:	30° (50% maximum)

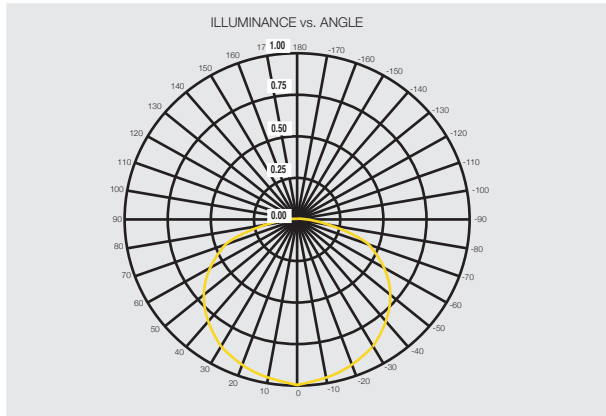
GAMUT



ILLUMINANCE DISTRIBUTION

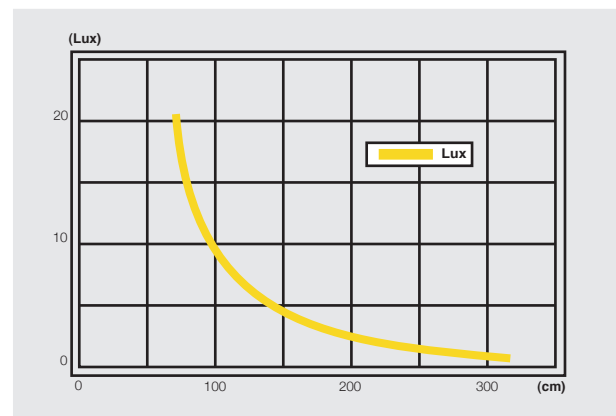


GAMUT



ANGLE	LUX	ANGLE	LUX
90	1.04	0	10.37
80	2.09	-10	10.26
70	3.94	-20	9.88
60	5.62	-30	9.32
50	7.02	-40	8.24
40	8.24	-50	7.02
30	9.32	-60	5.62
20	9.88	-70	3.94
10	10.26	-80	2.09
0	10.37	-90	1.04

ILLUMINANCE DISTRIBUTION



DISTANCE IN FT (m)	LUX
2 (0.61)	20.3
3 (0.91)	12.0
4 (1.22)	6.2
5 (1.52)	4.1
6 (1.83)	3.0
7 (2.13)	2.3
8 (2.44)	1.8
9 (2.74)	1.5
10 (3.05)	1.3