

# NEW!

## PRELIMINARY DATASHEET



# Spotlight mini LED RGB

## Main Features

- Light source: matrix of five high power 3W white leds with RGB colour mixing
- 45° beam angle with smooth distribution of light and colour
- Colour palette of up to 16.700.000 different hues
- 0-100% electronic dimmer control
- No UV emission
- Very low energy consumption
- Suitable for general lighting and colour wash effects in a broad range of commercial installations, such as showrooms, exhibitions, hotels, bars, restaurants retail environments and shop windows
- The very long light source life (50000 hours) allows trouble-free installations even in locations where it would be difficult to reach the fixture for lamp replacement and maintenance.
- Two versions available: for DMX Remote Control and for Infrared Remote Control
- Body design harmonized with the other "mini" fixtures
- Compact and durable housing in extruded aluminium and steel
- Available in black and silver versions; other colours on request
- Dimensions (WxHxP): 110x131x260 mm



MINI LED  
RGB IR



MINI LED  
RGB DMX

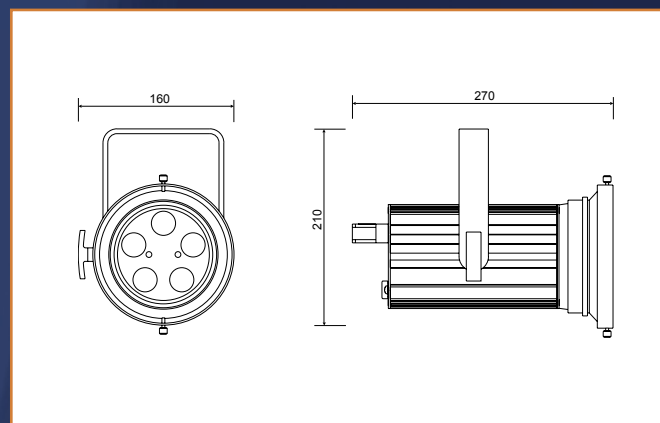
## MINI LED RGB IR

- Remote control via dedicated IR transmitter
- Instant selection of primary colours and white light
- Separate buttons for starting and stopping colour mixing sequences
- Separate buttons for dimmer

## MINI LED RGB DMX

- Remote control via DMX 512
- 3 channels for primary colours selection and electronic dimmer
- Programmable colour mixing effects and sequences
- Possibility of stand-alone operation without DMX signal

## Dimensions



**NOTICE:** All features are to be considered as preliminar: Spotlight reserve the right to change specifications of the final product without prior notice