



## Tile Xtra Bright (RF)

PA-TI-20100 Xtra Bright LED Panel with Traxon functions, frameless, MS Connection, controlled by RF Remote

### DESCRIPTION

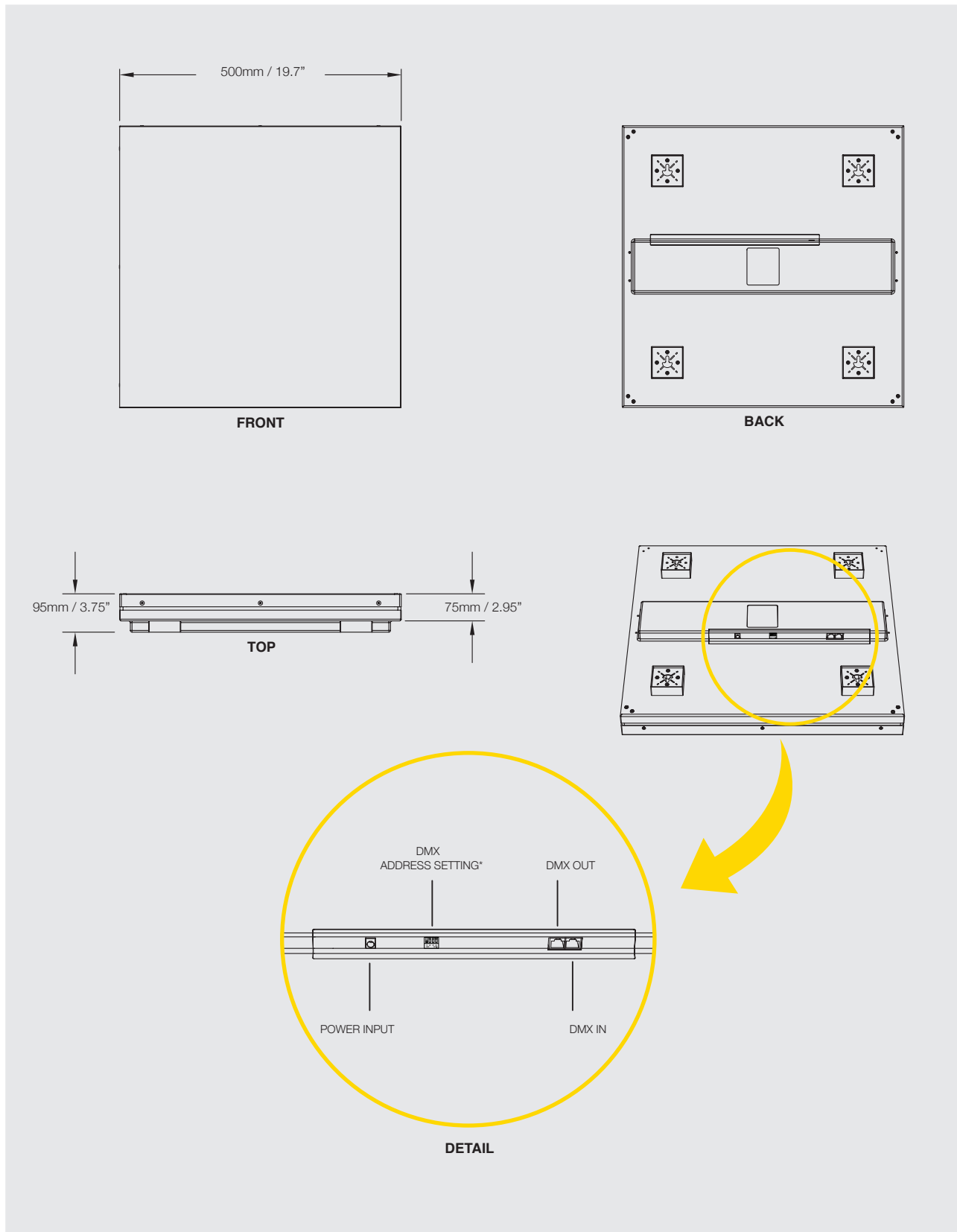
With its frameless and symmetrical design, the lightweight Traxon Tile XB provides endless possibilities for creating a visually compelling experience in any architectural or entertainment application. The Tile XB, the second generation of the frameless Tile series, controlled via RF remote control, provides a user friendly experience with its preset modes, and plug and play system. The XB series, with its deeply saturated 4 pixel design, is ideal for any interior environment where generous amounts of ambient light exist. This panel is also available in a DMX512 version.

### TECHNICAL SPECIFICATIONS

<b>COLOR RESOLUTION:</b>	3 x 8 Bit (RGB)
<b>COLOR RANGE:</b>	16.7 million additive white colors with variable intensity
<b>LIGHT SOURCE:</b>	Ultra Bright LED (Light Emitting Diodes)
<b>LED:</b>	Class 1 LED production conformed to standard EN60825-1:1994+A11:1996
<b>ILLUMINANCE:</b>	35 Lux
<b>SOURCE LIFE:</b>	50,000 hours under normal operating conditions
<b>HUMIDITY:</b>	0 to 90%
<b>ENVIRONMENT:</b>	
<b>OPERATING TEMPERATURE:</b>	range -15°C ~ +55°C / +4°F ~ +131°F
<b>STORAGE TEMPERATURE:</b>	range -40°C ~ +70°C / -40°F ~ +158°F
<b>OPERATION VOLTAGE:</b>	DC 24V
<b>CURRENT CONSUMPTION:</b>	3A max.
<b>POWER CONSUMPTION:</b>	72W max.
<b>POWER SUPPLY:</b>	Model no.: AC-PS-00009 100 ~ 240VAC I/P, 24VDC O/P, 320W System Power Supply listed UL, CUL, TÜV, CB & CE 
<b>CONTROL:</b>	Tile Xtra Bright (RF) is controlled by RF Remote (434MHZ) (For further information, please refer to the product manual) Master/Slave Switch, Interconnecting Cable
<b>AC POWER CORD:</b>	2m / 78.74", exchangeable for worldwide use, listed UL, CE and GS
<b>DC POWER CORD:</b>	5m / 200", listed UL, CE and GS
<b>DATA CABLE:</b>	1.5m / 60" 14 pin connector master/slave cable
<b>INTERCONNECTION:</b>	Tile Xtra Bright (RF) can be interconnected directly
<b>SIZE:</b>	500mm x 500mm x 95mm / 19.70" x 19.70" x 3.75"
<b>NET WEIGHT:</b>	approx. 5kgs / 11lbs
<b>HOUSING:</b>	Translucent molded high grade diffusion plastic front cover Plastic molded PS back cover
<b>GLOBAL SAFETY APPROVALS:</b>	conformed to the relevant Radio, EMC, Health and Safety requirement under RTTE Directive EN300220-3V1.1.1, EN31489-1:V1.4.1:2002 EN301489-3:V1.4.1:2002, EN50371:2002, WN60065:2002

# Tile Xtra Bright (RF)

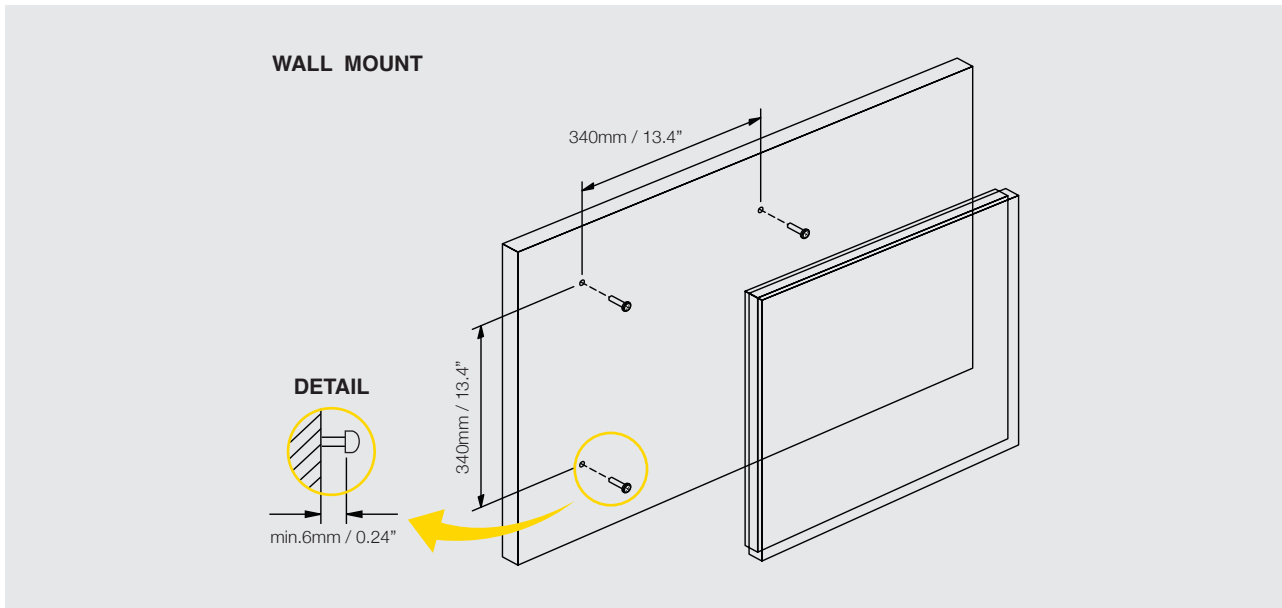
## ➤ TECHNICAL DRAWING



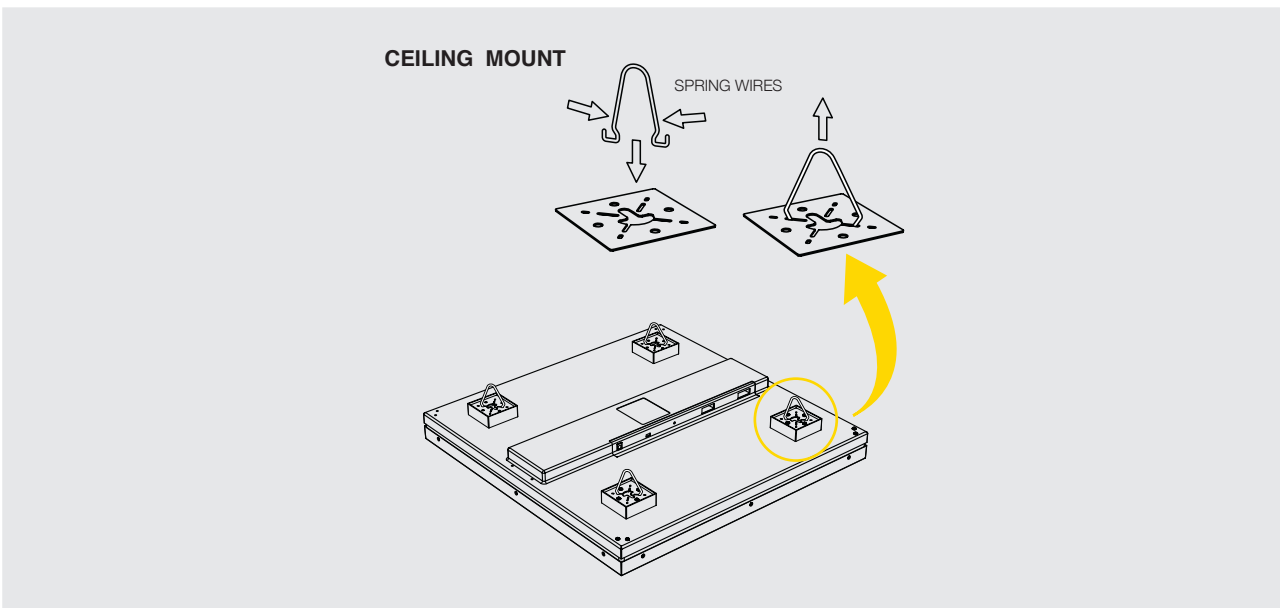
\*For further information, please refer to the product manual

## Tile Xtra Bright (RF)

### ➤ MOUNTING - WALL MOUNT

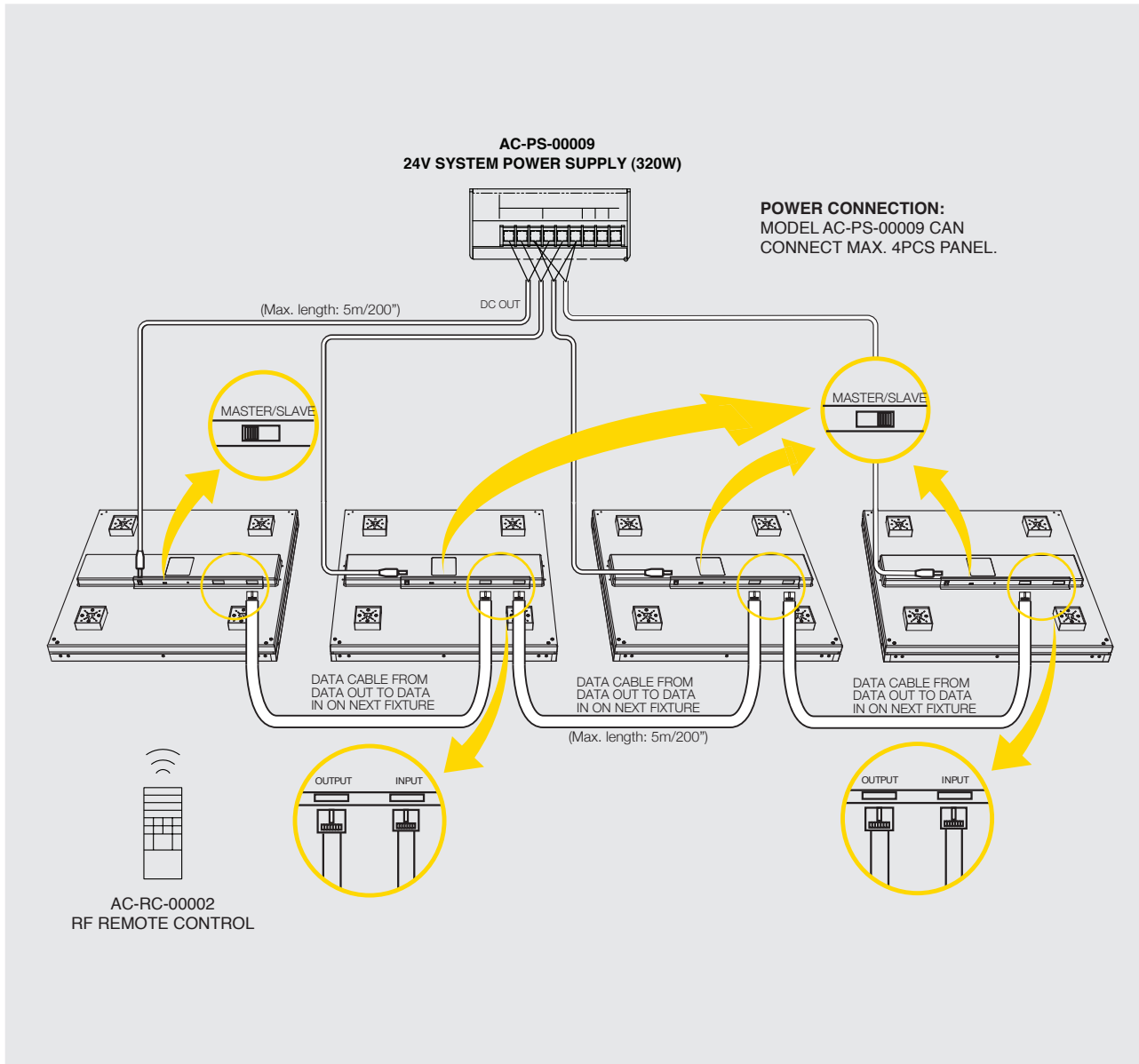


### ➤ MOUNTING - CEILING MOUNT



\* For further information, please refer to the product manual

➤ TECHNICAL DRAWING - CONNECTION



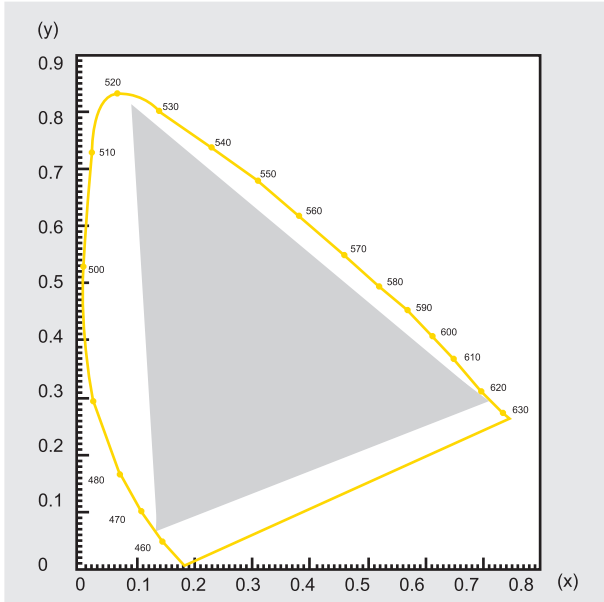
# Tile Xtra Bright (RF)

## PHOTOMETRIC PERFORMANCE

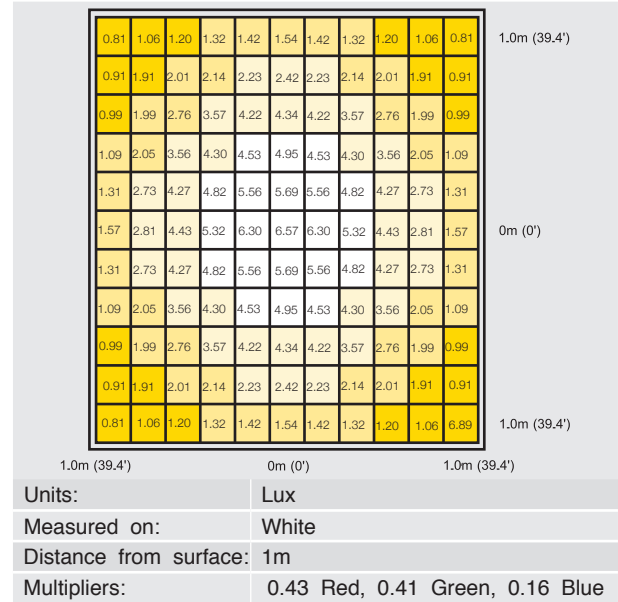
### SOURCE SPECIFICATIONS

<b>OPTICS:</b>	White translucent diffuser
<b>SOURCE:</b>	64 LEDs (64 Red, 64 Green, 64 Blue)
<b>BEAM ANGLE:</b>	120° (50% maximum)
<b>DISTRIBUTION:</b>	Symmetric direct illumination
<b>CCT:</b>	Adjustable 1,000-10,000K

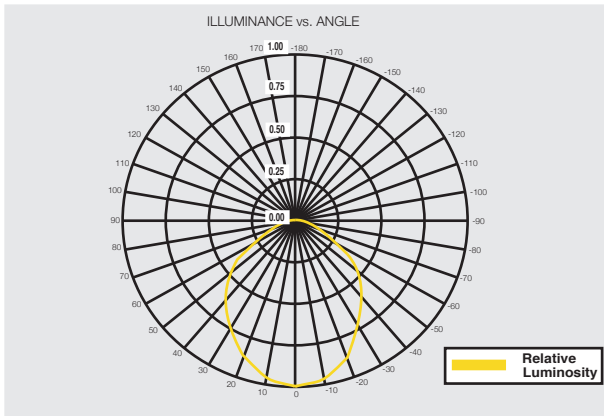
### GAMUT



### ILLUMINANCE DISTRIBUTION



### GAMUT



ANGLE	LUX	ANGLE	LUX
90	0.03	0	6.57
80	0.4	-10	6.43
70	1.63	-20	6.12
60	2.84	-30	5.58
50	3.92	-40	4.85
40	4.85	-50	3.92
30	5.58	-60	2.84
20	6.12	-70	1.63
10	6.43	-80	0.4
0	6.57	-90	0.03

### ILLUMINANCE DISTRIBUTION

