



Tile Xtra Bright (DMX)

PA-TI-50100 Xtra Bright LED Panel, DMX control, frameless, RJ45 connection

DESCRIPTION

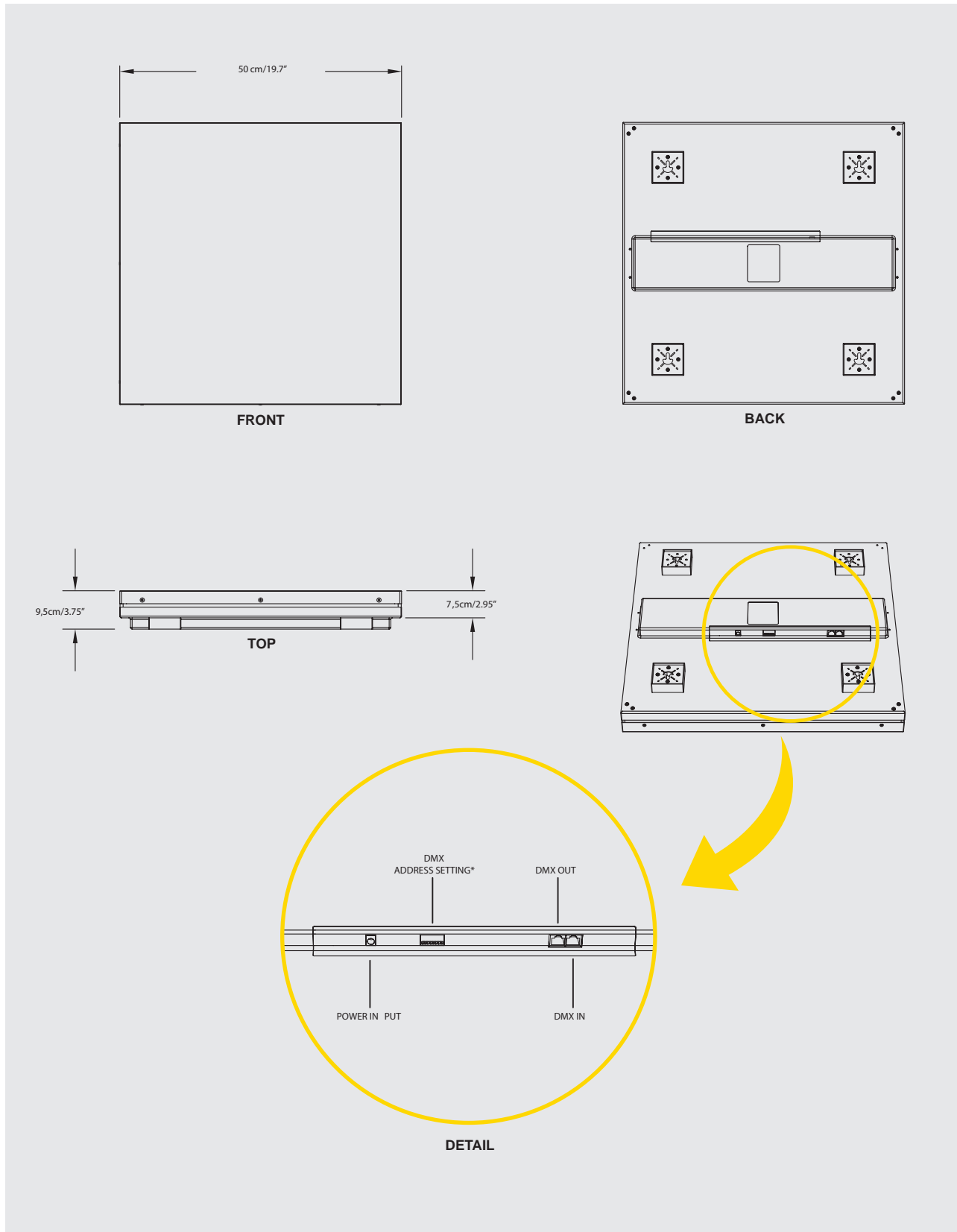
The Tile XB is an innovative frameless LED panel, ideal for colorfully enriching architectural creations of all kinds. While the Tile's compact physical dimension coupled with the possibility of being interconnected with various additional units provides its user with a high degree of flexibility for its application on any flat surface, the Tile's composition of high performance LEDs warrants the colorful accentuation of even bright surroundings. Controlled by DMX technology, the Tile Xtra Bright permits the generation of any imaginable coloring as well as fascinating color-changing lighting scenarios.

TECHNICAL SPECIFICATIONS

COLOR RESOLUTION:	3 x 8 Bit (RGB)
COLOR RANGE:	16.7 million additive RGB colors with variable intensity
LIGHT SOURCE:	Ultra Bright LED (Light Emitting Diodes)
LED:	Class 1 LED production conformed to standard EN60825-1:1994+A11:1996
SOURCE LIFE:	50,000 hours under normal operation conditions
ILLUMINANCE:	35 Lux
HUMIDITY:	0 to 90%
ENVIRONMENT:	
OPERATING TEMPERATURE:	range -15°C ~ +55°C (+4°F ~ +131°F)
STORAGE TEMPERATURE:	range -40°C ~ +70°C (-40°F ~ +158°F)
OPERATION VOLTAGE:	DC 24V
CURRENT CONSUMPTION:	3A max.
POWER CONSUMPTION:	72W max.
POWER SUPPLY	Model No.: AC-PS-00009 100~240VAC I/P, 24VDC O/P, 320W System Power Supply listed UL, CUL, TÜV, CB & CE 
CONTROL:	Tile Xtra Bright (DMX) is controlled by DMX 512 protocol (For further information, please refer to the product manual)
AC POWER CORD:	2m/ 78.74", exchangeable for worldwide use, listed UL, CE and GS
DC POWER CORD:	5m/200", listed UL, CE and GS
DATA CABLE:	1.5m/60" RJ-45 Data Cable (Maximum length: 10m/400")
COMMUNICATION CORDS:	Data Protocol: DMX-512 Control: DMX-512 controllers Data Connector: RJ-45 (Pin1: DMX-, Pin2: DMX+, Pin3: GND) Data Cable max. length: 100m from DMX controller to the last fixture, with totally 32 fixtures daisy-chained, using CAT5E cable
INTERCONNECTION:	Tile Xtra Bright (DMX) can be interconnected directly
SIZE:	500mm (19.70") x 500mm (19.70") x 95mm (3.75")
NET WEIGHT:	approx. 5kgs (11lbs)
HOUSING:	Translucent molded high grade diffusion plastic front cover Plastic molded PS back cover
GLOBAL SAFETY APPROVALS:	conform to the relevant Radio, EMC, Health and Safety requirement under RTTE Directive EN300220-3V1.1.1, EN31489-1:V1.4.1:2002 EN301489-3:V1.4.1:2002, EN50371:2002, WN60065:2002

Tile Xtra Bright (DMX)

➤ TECHNICAL DRAWING

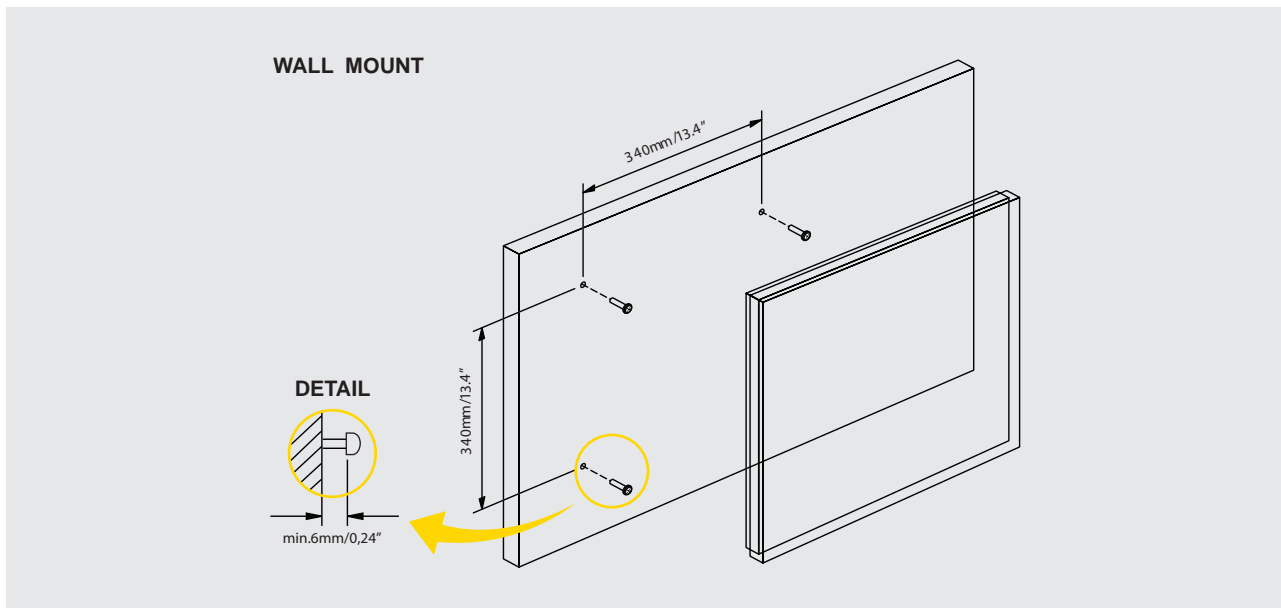


*For further information, please refer to the product manual

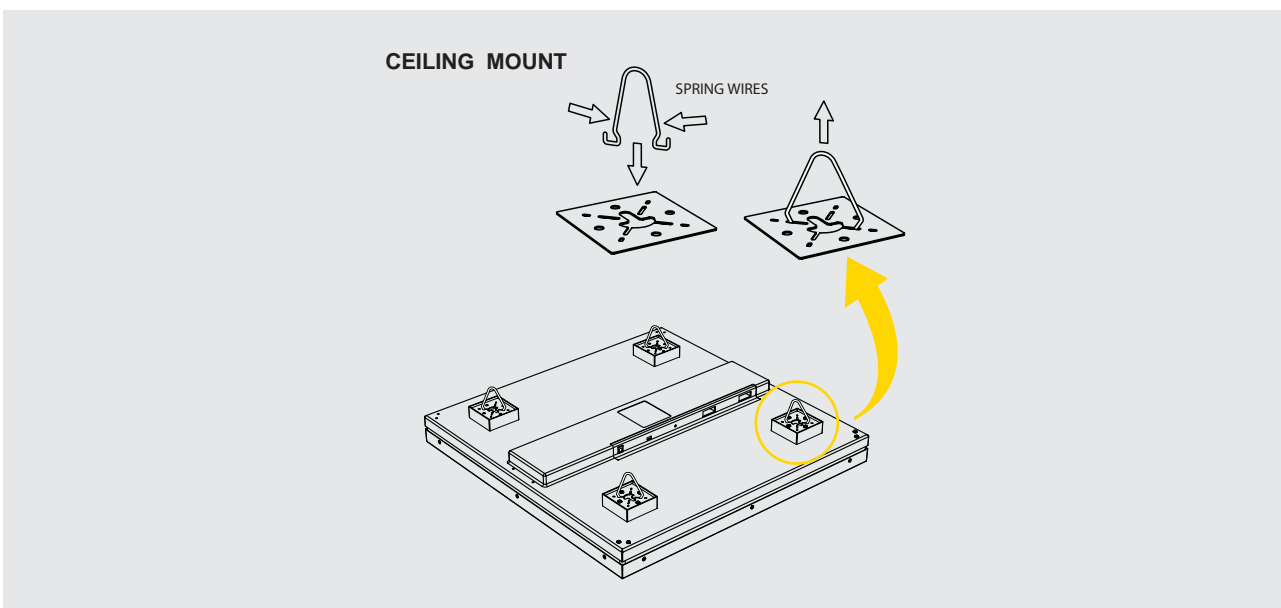
© 2006 TRAXON TECHNOLOGIES ALL RIGHTS RESERVED. MOOD LIGHT™, TRAXON™, LIVINCOLORS™, LUXILED™ ARE TRADEMARKS OF TRAXONTECHNOLOGIES. U . S . PATENTS, E.U. PATENTS, JAPAN PATENTS, OTHER PATENTS PENDING. SPECIFICATIONS ARE SUBJECT TO CHANGE WITHOUT PRIOR NOTICE.

Tile Xtra Bright (DMX)

➤ MOUNTING - WALL MOUNT



➤ MOUNTING - CEILING MOUNT

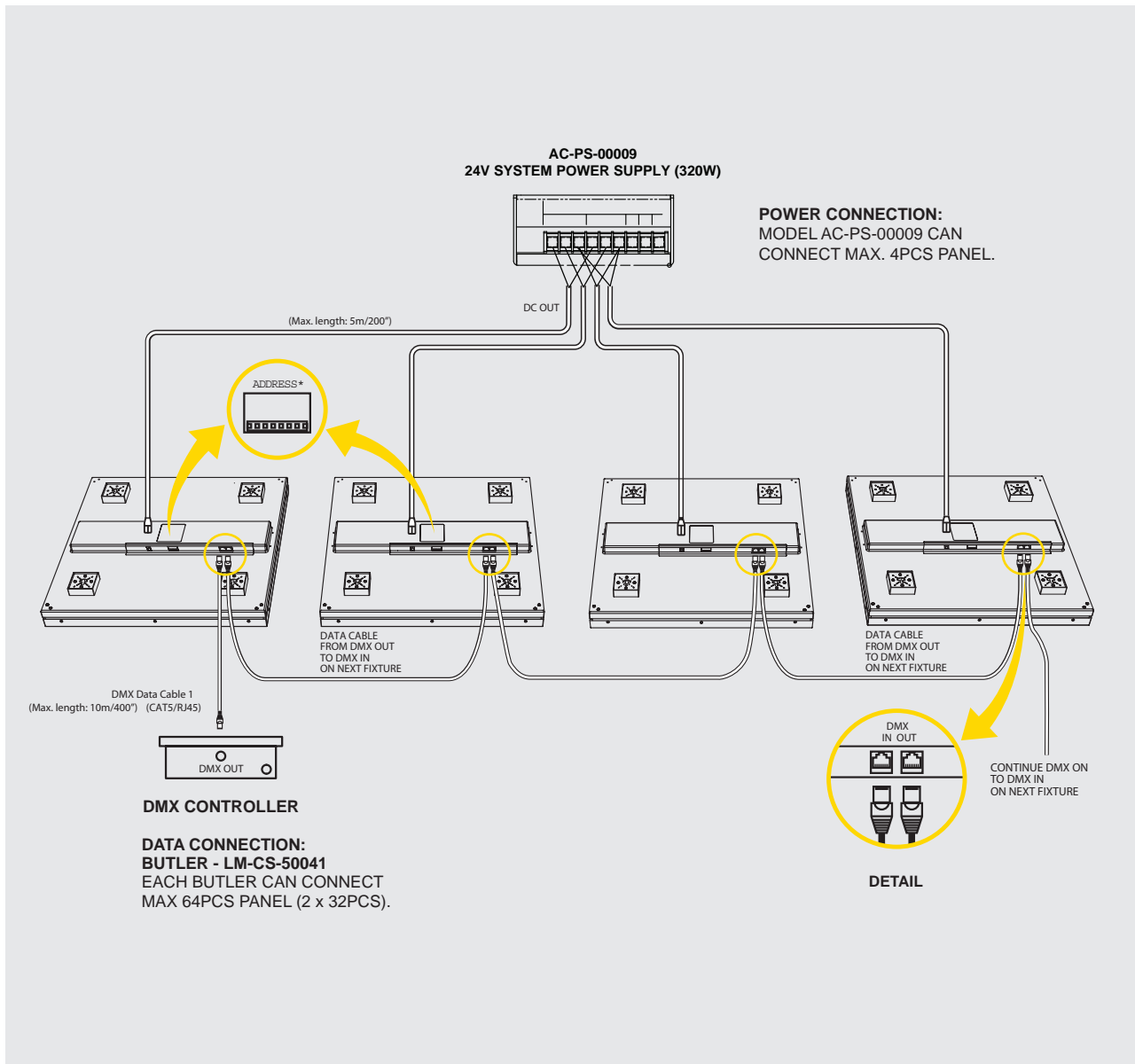


* For further information, please refer to the product manual

© 2006 TRAXON TECHNOLOGIES ALL RIGHTS RESERVED. MOOD LIGHT™, TRAXON™, LIVINCOLORS™, LUXILED™ ARE TRADEMARKS OF TRAXONTECHNOLOGIES. U. S. PATENTS, E.U. PATENTS, JAPAN PATENTS, OTHER PATENTS PENDING. SPECIFICATIONS ARE SUBJECT TO CHANGE WITHOUT PRIOR NOTICE.

Tile Xtra Bright (DMX)

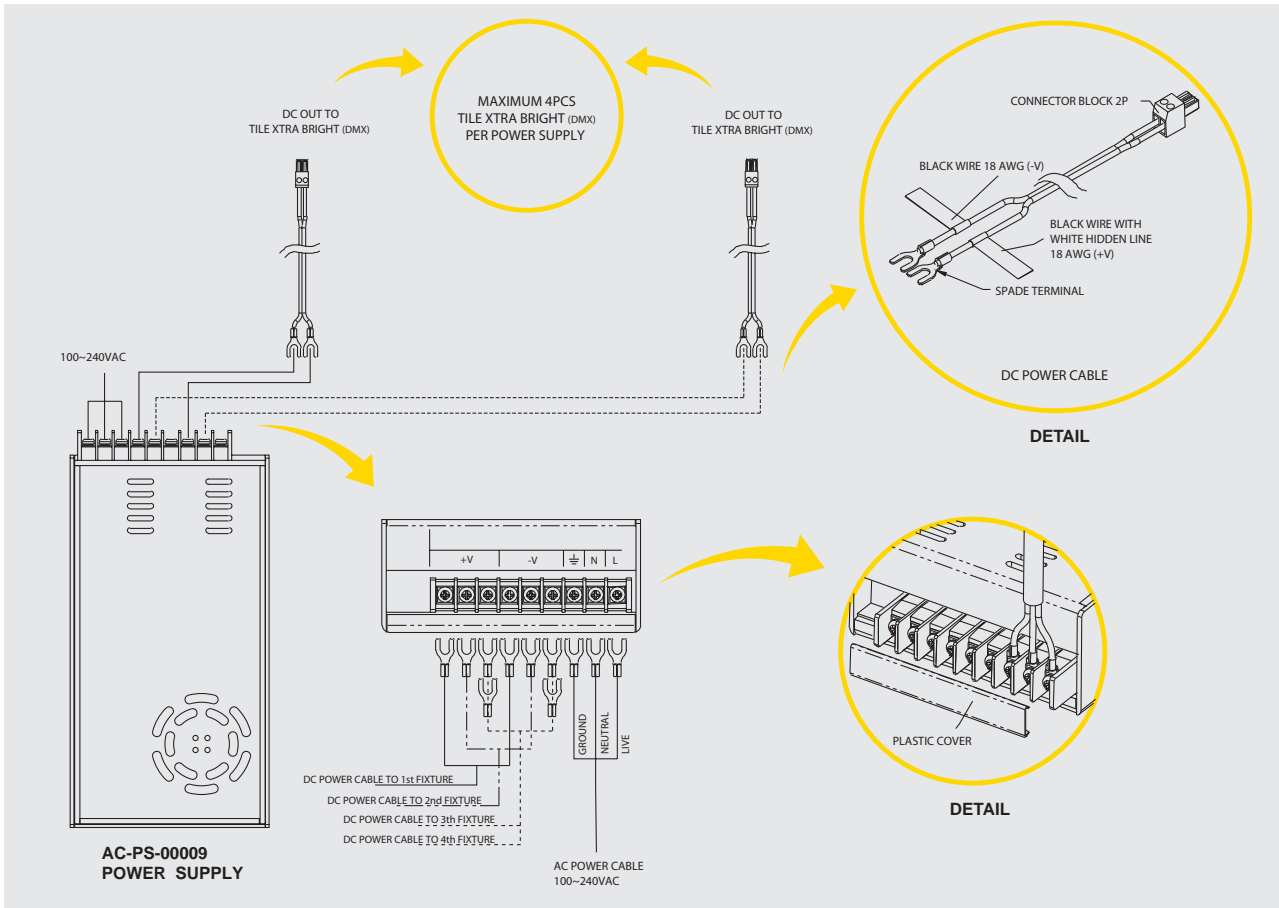
TECHNICAL DRAWING - CONNECTION



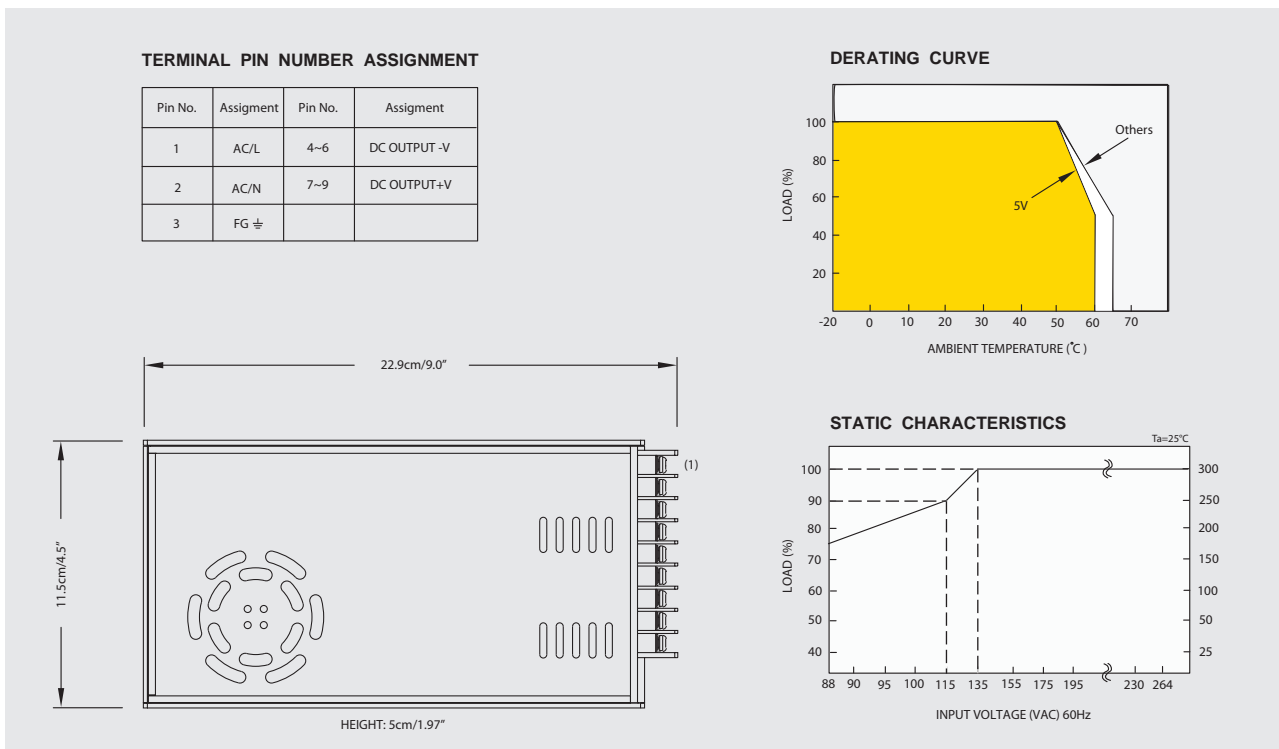
© 2006 TRAXON TECHNOLOGIES ALL RIGHTS RESERVED. MOOD LIGHT™, TRAXON™, LIVINCOLORS™, LUXILED™ ARE TRADEMARKS OF TRAXON TECHNOLOGIES. U.S. PATENTS, E.U. PATENTS, JAPAN PATENTS, OTHER PATENTS PENDING. SPECIFICATIONS ARE SUBJECT TO CHANGE WITHOUT PRIOR NOTICE.

Tile Xtra Bright (DMX)

TECHNICAL SPECIFICATIONS - SYSTEM POWER SUPPLY



TECHNICAL DRAWING - SYSTEM POWER SUPPLY



© 2006 TRAXON TECHNOLOGIES ALL RIGHTS RESERVED. MOOD LIGHT™, TRAXON™, LIVINCOLORS™, LUXILED™ ARE TRADEMARKS OF TRAXONTECHNOLOGIES. U. S. PATENTS, E.U. PATENTS, JAPAN PATENTS, OTHER PATENTS PENDING. SPECIFICATIONS ARE SUBJECT TO CHANGE WITHOUT PRIOR NOTICE.

SPECSHEET VERSION 1.5

Tile Xtra Bright (DMX)

➤ TECHNICAL SPECIFICATIONS - SYSTEM POWER SUPPLY

OUTPUT	SYSTEM POWER SUPPLY:	MODEL AC-PS-00009
	DC VOLTAGE:	24V
	RATED CURRENT:	13A
	CURRENT RANGE:	0~13A
	RATED POWER:	312W
	RIPPLE & NOISE (max):	150mVp-p
	VOLTAGE ADJ. ANGE	20~26.4V
	VOLTAGE TOLERANCE:	± 1.0%
	LINE REGULATION:	± 0.2%
	LOAD REGULATION	± 0.5%
INPUT	SETUP, RISE, HOLD TIME:	800ms, 50ms, 16ms/230VAC; 2500ms, 50ms, 16ms/115VAC at full load
	VOLTAGE RANGE:	88~264VAC; 124~370VDC
	FREQUENCY RANGE:	47~63Hz
	CURRENT RANGE:	PF>0.95/230VAC; PF>0.98/115VAC at full load
	EFFICIENCY:	87%
	AC CURRENT:	2.5A/230VAC; 5A/115VAC
	INRUSH CURRENT (max):	40A/230VAC; 22A/115VAC
PROTECTION	LEAKAGE CURRENT:	<1mA/240VAC
	OVER LOAD:	105-135% rated output power Protection Type: Hiccup mode, recovers automatically after fault condition is removed
	OVER VOLTAGE:	27.6~32.4V Protection Type: Shut down O/P voltage, re-power on to recover
ENVIRONMENT	OVER TEMPERATURE:	80°C ± 5°C (70°C ± 5°C 3.3V, 5V only) (TSW1: Detect on heatsink of power transistor) Protection Type: Shut down O/P voltage, recovers automatically after temperature goes down
	WORKING TEMPERATURE:	-20 ~ +65°C (Refer to output load derating curve)
	WORKING HUMIDITY:	20~90% RH non-condensing
	STORAGE TEMP., HUMIDITY:	-40 ~ +85°C, 10~95% RH
SAFETY & EMC	TEMP. COEFFICIENT:	± 0.03%/°C (0~50°C)
	VIBRATION:	10~500Hz, 2G 10min./1cycle, 60min. Each along X, Y, Z axes
	SAFETY STANDARDS:	UL60950-1, TÜV EN60950-1 Approval
	WITHSTAND VOLTAGE:	I/P-O/P: 3KVAC; I/P-FG: 1.5KVAC; O/P-FG: 0.5KVAC
	ISOLATION RESISTANCE:	I/P-O/P, I/P-FG, O/P-FG: 100M Ohms/500VDC
OTHERS	EMI CONDUCTION & RADIATION:	Compliance to EN55022 (CISPR22) Class B
	HARMONIC CURRENT:	Compliance to EN61000-3-2, -3
	EMS IMMUNITY:	Compliance to EN61000-4-2,3,4,5,6,8,11; ENV50204, EN55024, Light industry level, criteria A
OTHERS	MTBF:	207K hrs min. MIL-HDBK-217F (25°C)
	DIMENSION:	L215 x W115 x H50
	PACKING:	1.1kg; 12pcs/14kg/0.92CUFT

© 2006 TRAXON TECHNOLOGIES ALL RIGHTS RESERVED. MOOD LIGHT™, TRAXON™, LIVINCOLORS™, LUXILED™ ARE TRADEMARKS OF TRAXONTECHNOLOGIES. U.S. PATENTS, E.U. PATENTS, JAPAN PATENTS, OTHER PATENTS PENDING. SPECIFICATIONS ARE SUBJECT TO CHANGE WITHOUT PRIOR NOTICE.

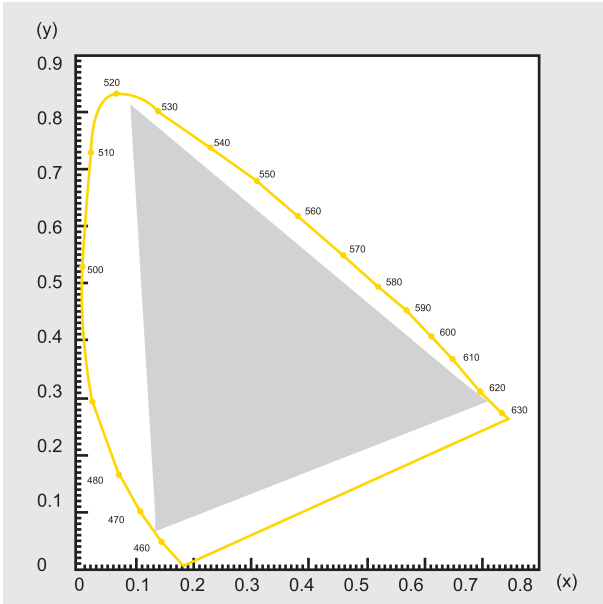
Tile Xtra Bright (DMX)

PHOTOMETRIC PERFORMANCE

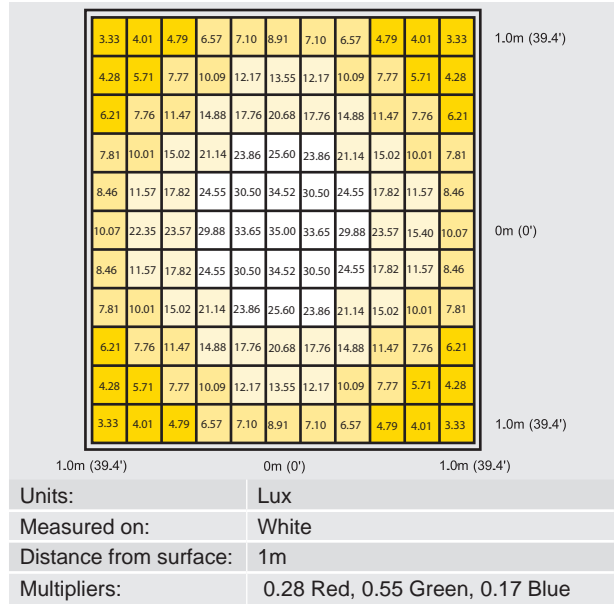
SOURCE SPECIFICATIONS

OPTICS:	White translucent diffuser
SOURCE:	64 LEDs (64 Red, 64 Green, 64 Blue)
BEAM ANGLE:	120° (50% maximum)
DISTRIBUTION:	Symmetric direct illumination
CCT:	Adjustable 1,000-10,000K

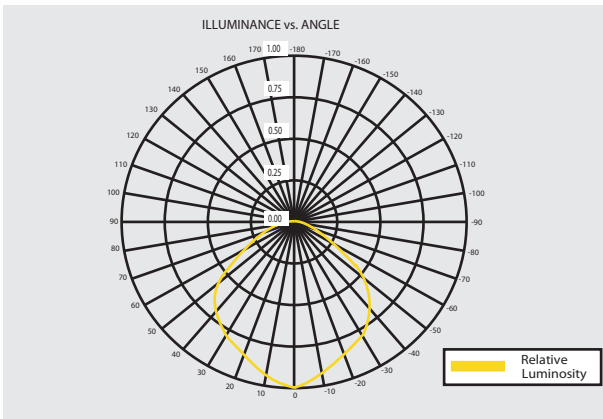
GAMUT



ILLUMINANCE DISTRIBUTION

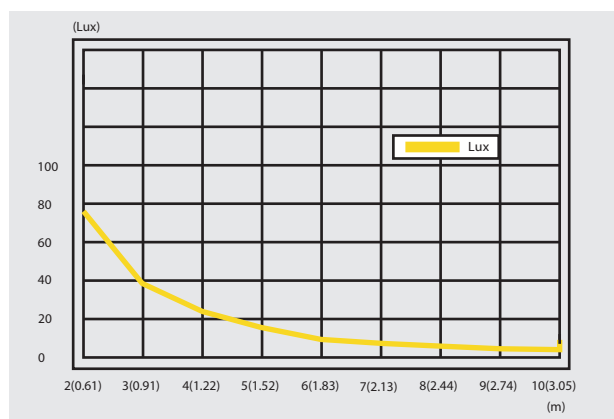


GAMUT



ANGLE	LUX	ANGLE	LUX
90	0.76	0	35
80	1.45	-10	31.7
70	6.88	-20	30.1
60	12.8	-30	27.8
50	18.89	-40	24.58
40	24.58	-50	18.89
30	27.8	-60	12.8
20	30.1	-70	6.88
10	31.7	-80	1.45
0	35	-90	0.76

ILLUMINANCE DISTRIBUTION



DISTANCE IN FT (m)	LUX
2 (0.61)	74
3 (0.91)	37.7
4 (1.22)	22.6
5 (1.52)	15.51
6 (1.83)	10.75
7 (2.13)	8.02
8 (2.44)	6.16
9 (2.74)	4.91
10 (3.05)	4.1

© 2006 TRAXON TECHNOLOGIES ALL RIGHTS RESERVED. MOOD LIGHT™, TRAXON™, LIVINCOLORS™, LUXILED™ ARE TRADEMARKS OF TRAXONTECHNOLOGIES. U. S. PATENTS, E.U. PATENTS, JAPAN PATENTS, OTHER PATENTS PENDING. SPECIFICATIONS ARE SUBJECT TO CHANGE WITHOUT PRIOR NOTICE.