



Mirror Xtra Bright (RF)

PA-MI-20100 Xtra Bright LED Mirror Panel with Traxon functions, MS connection, controlled by RF Remote

DESCRIPTION

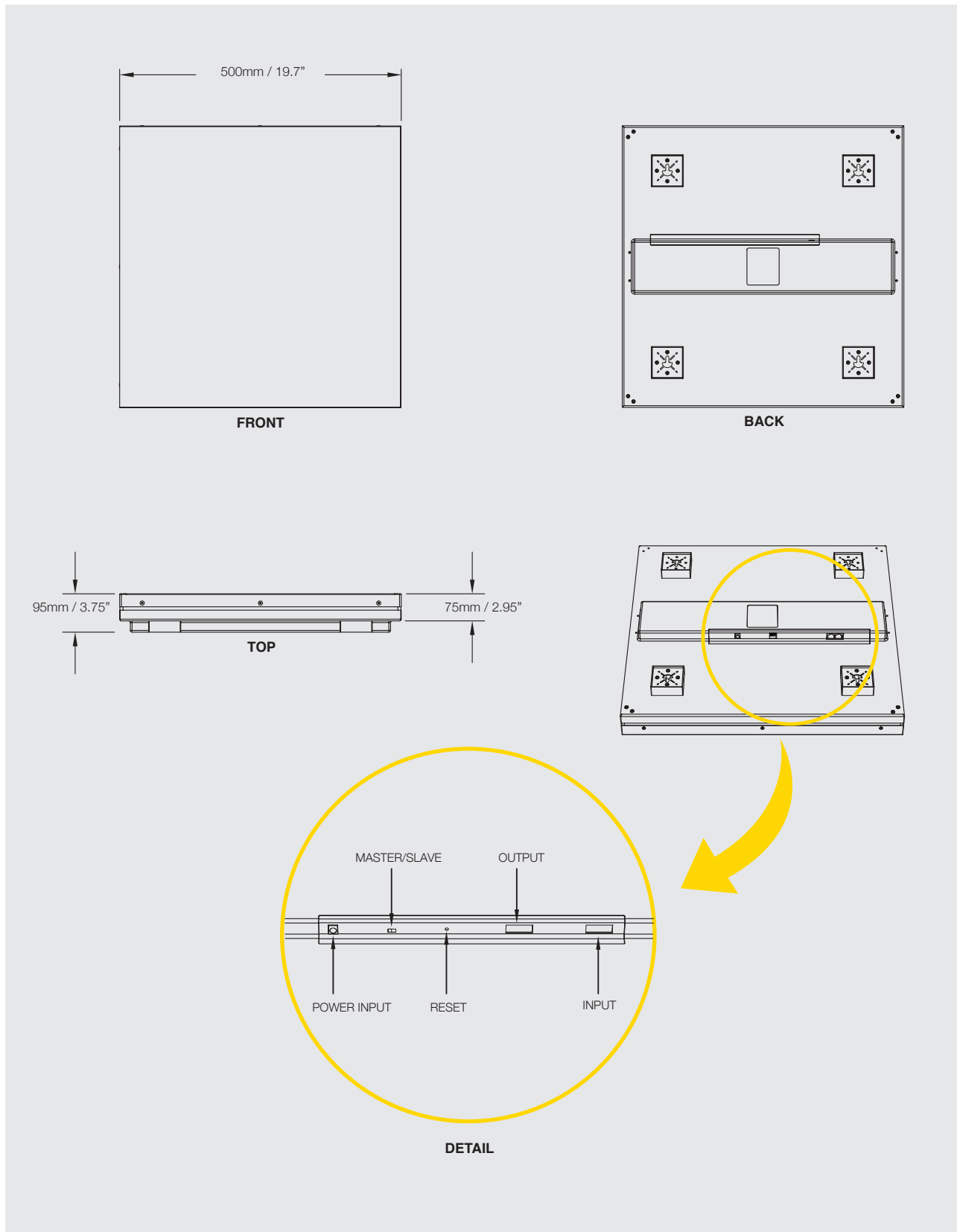
With its symmetrical mirrored design, the Traxon Mirror XB provides endless possibilities for creating a visually compelling experience in any architectural or entertainment application. The Mirror XB, the second generation of the Mirror panel series, controlled via RF remote control, provides a user friendly experience with its preset modes, and plug and play system. The Mirror XB with its deeply saturated 4 pixel design, and multifunctional mirror finish, is ideal for any interior application where generous amounts of ambient light exist. This panel is also available in a DMX512 version.

TECHNICAL SPECIFICATIONS

COLOR RESOLUTION:	3 x 8 Bit (RGB)
COLOR RANGE:	16.7 million additive RGB colors with variable intensity
LIGHT SOURCE:	Ultra Bright LED (Light Emitting Diodes)
LED:	Class 1 LED production conformed to standard EN60825-1:1994+A11:1996
SOURCE LIFE:	50,000 hours under normal operation conditions
ILLUMINANCE:	6.5 Lux
HUMIDITY:	0 to 90%
ENVIRONMENT:	
OPERATING TEMPERATURE:	range -15°C ~ +55°C / +4°F ~ +131°F
STORAGE TEMPERATURE:	range -40°C ~ +70°C / -40°F ~ +158°F
OPERATION VOLTAGE:	DC 24V
CURRENT CONSUMPTION:	3A max.
POWER CONSUMPTION:	72W max.
POWER SUPPLY	Model No.: AC-PS-00009 100~240VAC I/P, 24VDC O/P, 320W System Power Supply listed UL, CUL, TÜV, CB & CE
CONTROL:	Mirror Xtra Bright (RF) is controlled by RF Remote (434MHZ) (For further information, please refer to the product manual) Master/Slave Switch, interconnecting cable
AC POWER CORD:	2m / 78.74", exchangeable for worldwide use, listed UL, CE and GS
DC POWER CORD:	5m / 200", listed UL, CE and GS
DATA CABLE:	1.5m / 60" 14 pin connector master/slave cable
INTERCONNECTION:	Mirror Xtra Bright (RF) can be interconnected directly
SIZE:	500mm x 500mm x 95mm / 19.70" x 19.70" x 3.75"
NET WEIGHT:	approx. 7.0kgs / 15.4lbs
HOUSING:	Tempered glass mirror, front cover with plastic frame Plastic molded PS back cover
BACKUP BATTERY:	3.6V NiMH rechargeable battery built in
GLOBAL SAFETY APPROVALS:	conform to the relevant Radio, EMC, Health and Safety requirement under RTTE Directive EN300220-3V1.1.1, EN31489-1:V1.4.1:2002, EN301489-3:V1.4.1:2002, EN50371:2002, WN60065:2002

Mirror Xtra Bright (RF)

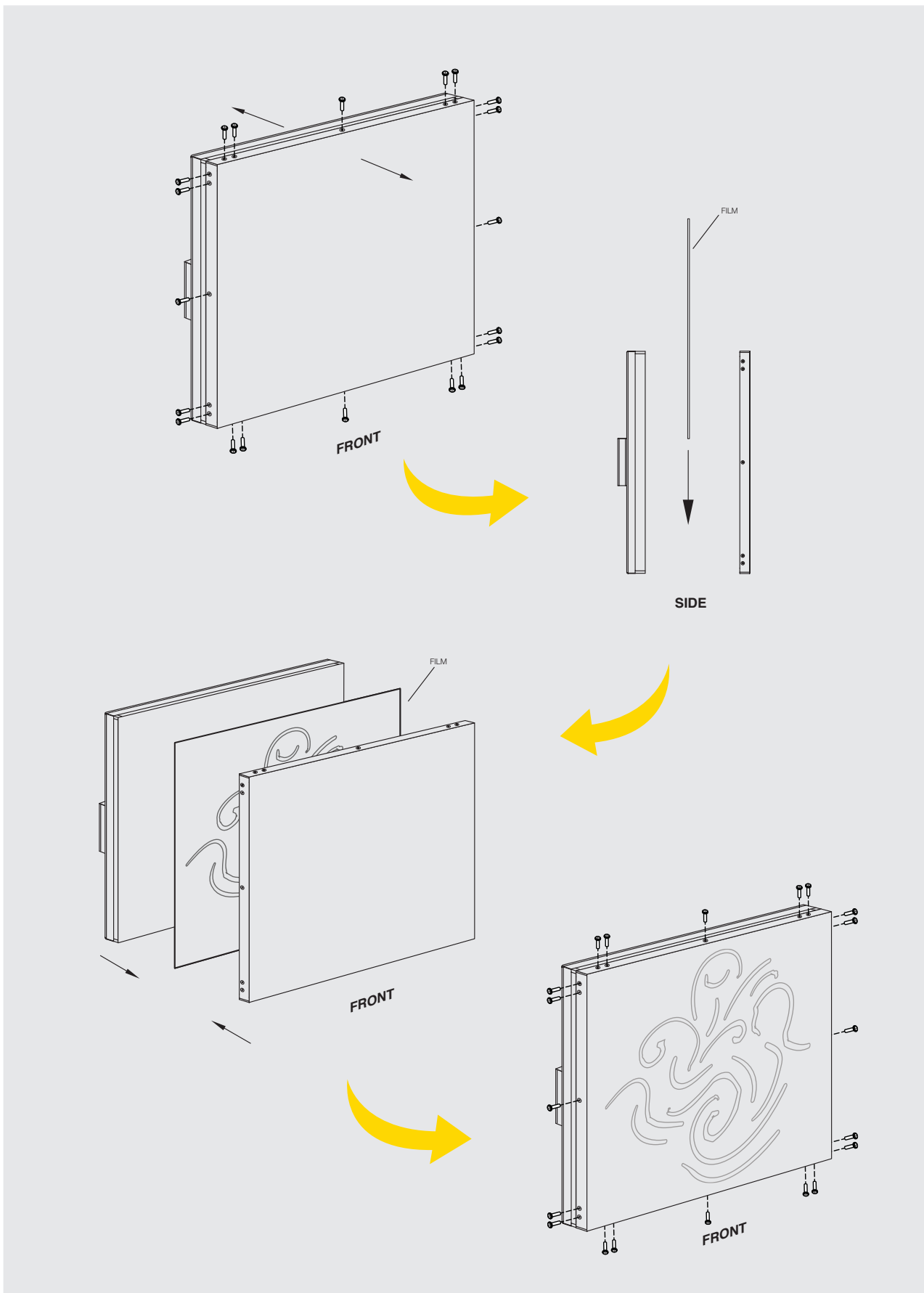
TECHNICAL DRAWING



*For further information, please refer to the product manual

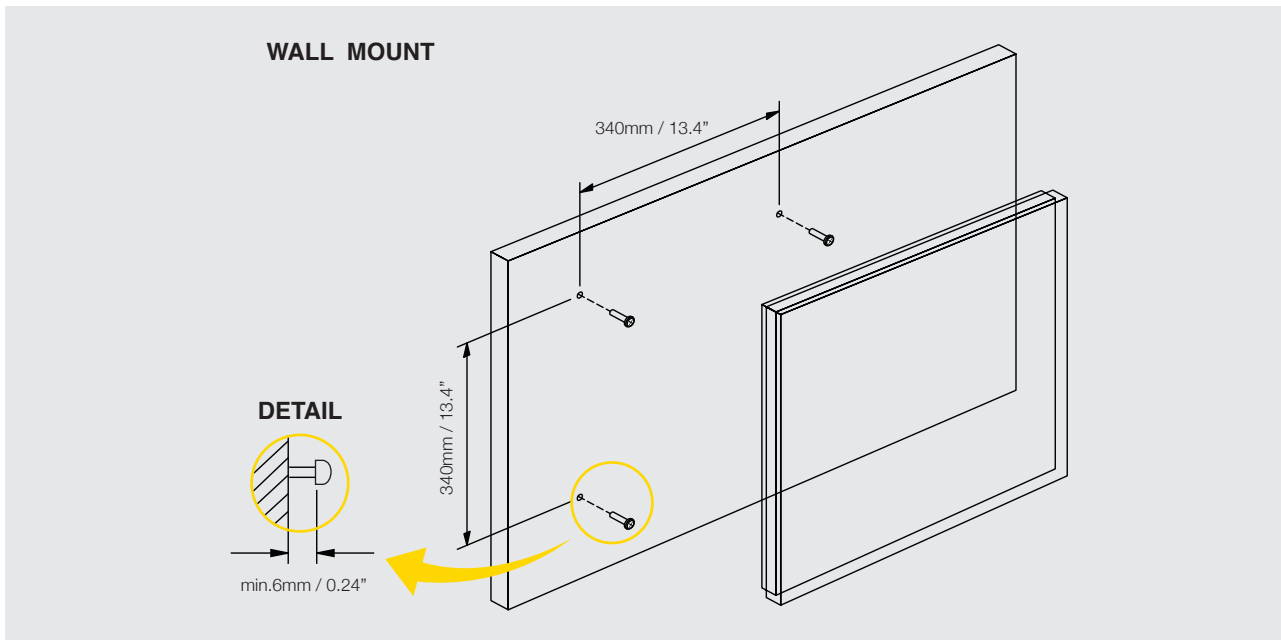
Mirror Xtra Bright (RF)

TECHNICAL DRAWING - FILM INSTALLATION



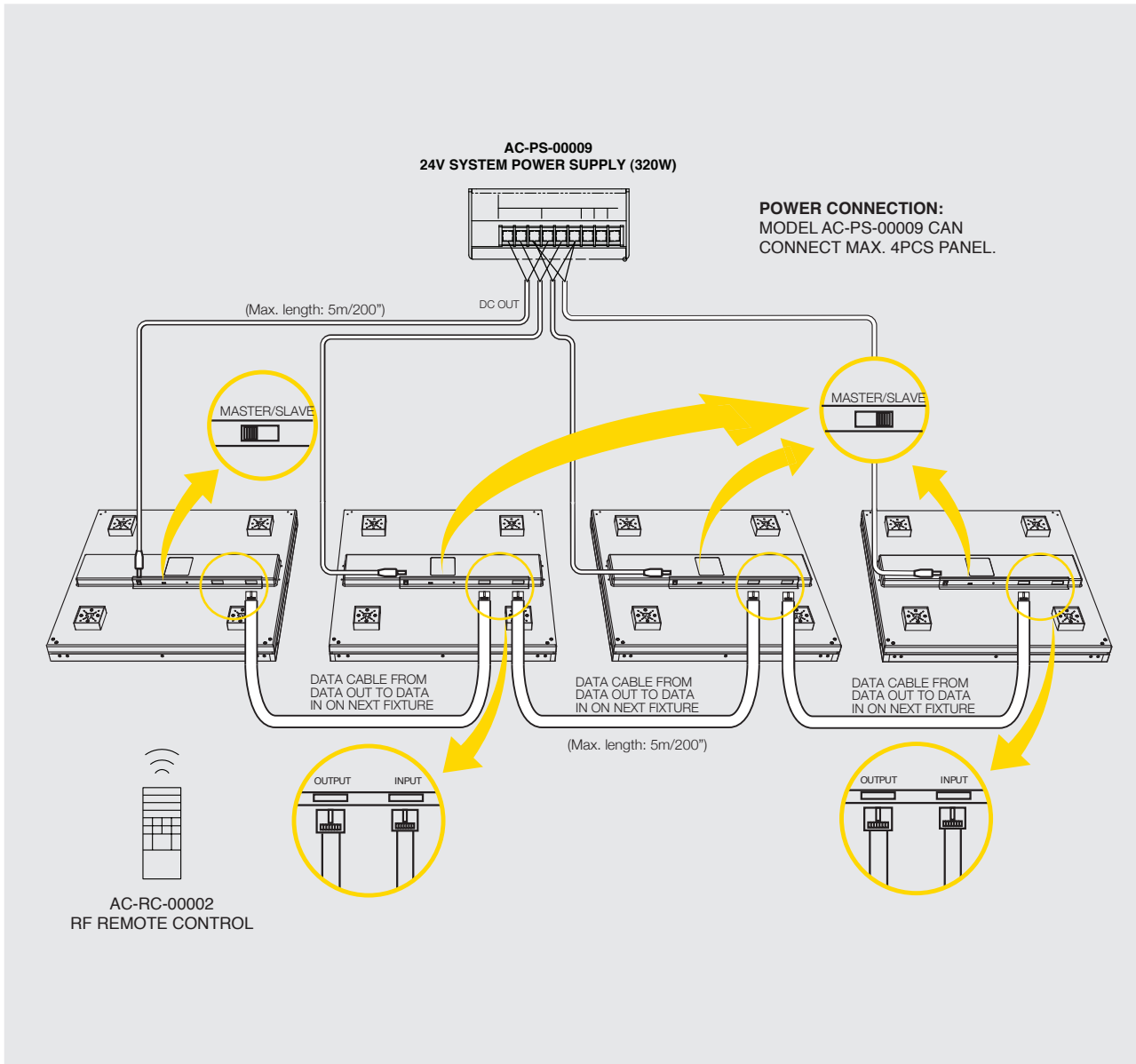
Mirror Xtra Bright (RF)

➤ MOUNTING - WALL MOUNT



Mirror Xtra Bright (RF)

➤ TECHNICAL DRAWING - CONNECTION



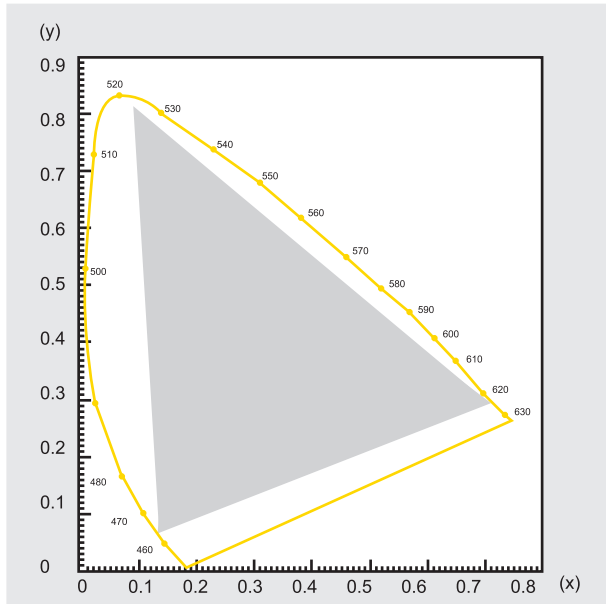
Mirror Xtra Bright (RF)

PHOTOMETRIC PERFORMANCE

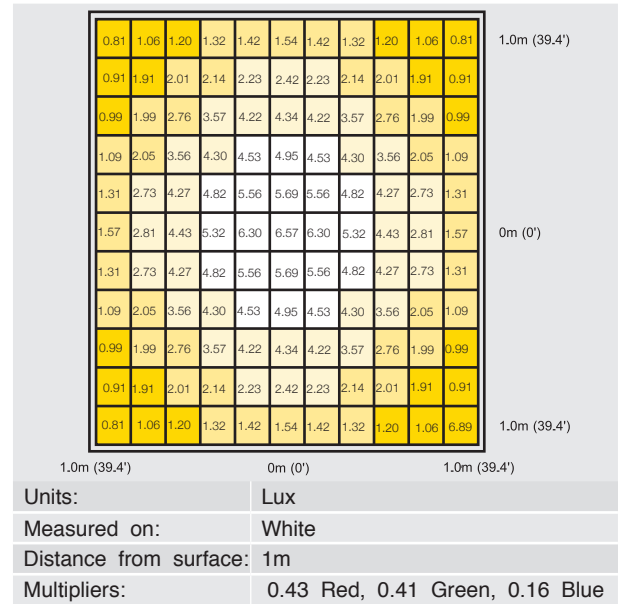
SOURCE SPECIFICATIONS

OPTICS:	Mirror glass (with PP diffuser)
SOURCE:	64 LEDs (64 Red, 64 Green, 64 Blue)
BEAM ANGLE:	120° (50% maximum)
DISTRIBUTION:	Symmetric direct illumination
CCT:	Adjustable 1,000-10,000K

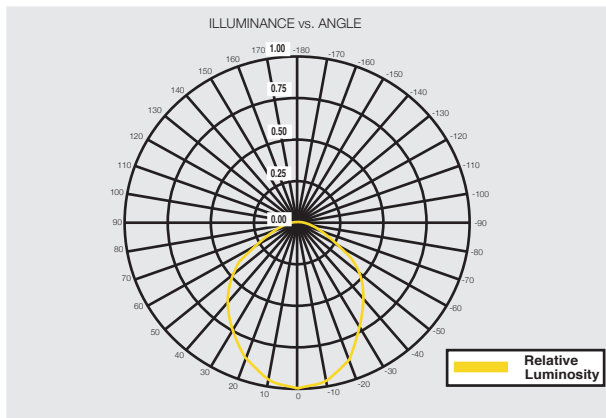
GAMUT



ILLUMINANCE DISTRIBUTION

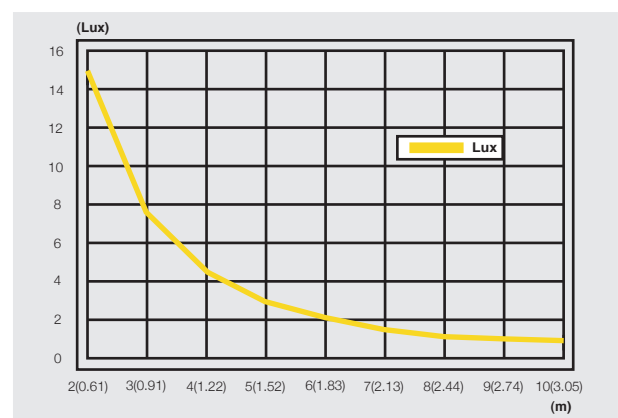


GAMUT



ANGLE	LUX	ANGLE	LUX
90	0.03	0	6.57
80	0.4	-10	6.43
70	1.63	-20	6.12
60	2.84	-30	5.58
50	3.92	-40	4.85
40	4.85	-50	3.92
30	5.58	-60	2.84
20	6.12	-70	1.63
10	6.43	-80	0.4
0	6.57	-90	0.03

ILLUMINANCE DISTRIBUTION



DISTANCE IN FT (m)	LUX
2 (0.61)	15.11
3 (0.91)	7.49
4 (1.22)	4.39
5 (1.52)	2.87
6 (1.83)	2.12
7 (2.13)	1.55
8 (2.44)	1.21
9 (2.74)	0.98
10 (3.05)	0.81