



## Mirror Xtra Bright (DMX)

PA-MI-50100 Xtra Bright LED Mirror Panel, DMX control, RJ45 connection

### DESCRIPTION

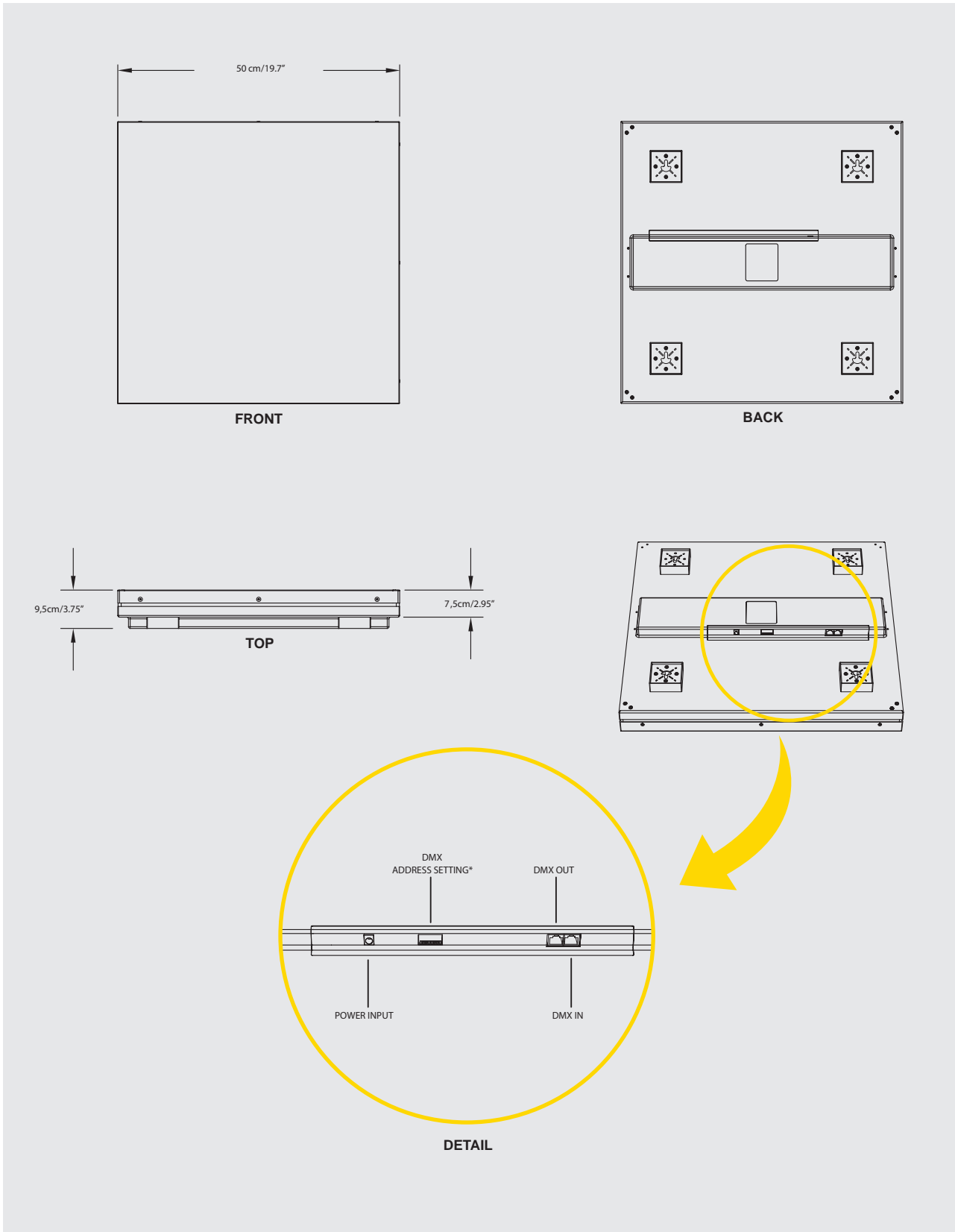
Combining the function of a stunning mirror and an exceptional lighting element, the Mirror Xtra Bright is the perfect solution for uniquely embellishing any indoor environment. Controllable by DMX technology, the reflecting surface of the Mirror becomes translucent when illuminated, paving the way for the appearance of a fascinating source of colorful light, pulsating in a broad range of different modes. Equipped with high performance LEDs, the Mirror Xtra Bright allows for the generation of very strong and intense colorings, bathing even bright surroundings in a mesmerizing sea of colorful light.

### TECHNICAL SPECIFICATIONS

<b>COLOR RESOLUTION:</b>	3 x 8 Bit (RGB)
<b>COLOR RANGE:</b>	16.7 million additive RGB colors with variable intensity
<b>LIGHT SOURCE:</b>	Ultra Bright LED (Light Emitting Diodes)
<b>LED:</b>	Class 1 LED production conformed to standard EN60825-1:1994+A11:1996
<b>SOURCE LIFE:</b>	50,000 hours under normal operation conditions
<b>ILLUMINANCE:</b>	6.5 Lux
<b>HUMIDITY:</b>	0 to 90%
<b>ENVIRONMENT:</b>	
<b>OPERATING TEMPERATURE:</b>	range -15°C ~ +55°C (+4°F ~ +131°F)
<b>STORAGE TEMPERATURE:</b>	range -40°C ~ +70°C (-40°F ~ +158°F)
<b>OPERATION VOLTAGE:</b>	DC 24V
<b>CURRENT CONSUMPTION:</b>	3A max.
<b>POWER CONSUMPTION:</b>	72W max.
<b>POWER SUPPLY</b>	Model No.: AC-PS-00009 100~240VAC I/P, 24VDC O/P, 320W System Power Supply listed UL, CUL, TÜV, CB & CE
<b>CONTROL:</b>	Mirror Xtra Bright (DMX) is controlled by DMX 512 protocol (For further information, please refer to the product manual)
<b>AC POWER CORD:</b>	2m/ 78.74", exchangeable for worldwide use, listed UL, CE and GS
<b>DC POWER CORD:</b>	5m/200", listed UL, CE and GS
<b>DATA CABLE:</b>	1.5m/60" RJ-45 Data Cable (Maximum length: 10m/400")
<b>COMMUNICATION CORDS:</b>	Data Protocol: DMX-512 Control: DMX-512 controllers Data Connector: RJ-45 (Pin1: DMX-, Pin2: DMX+, Pin3: GND) Data Cable max. length: 100m from DMX controller to the last fixture, with totally 32 fixtures daisy-chained, using CAT5E cable
<b>INTERCONNECTION:</b>	Mirror Xtra Bright (DMX) can be interconnected directly
<b>SIZE:</b>	500mm (19.70") x 500mm (19.70") x 95mm (3.75")
<b>NET WEIGHT:</b>	approx. 7.0kgs (15.4lbs)
<b>HOUSING:</b>	Tempered glass mirror, front cover with plastic frame Plastic molded PS back cover
<b>GLOBAL SAFETY APPROVALS:</b>	conform to the relevant Radio, EMC, Health and Safety requirement under RTTE Directive EN300220-3V1.1.1, EN31489-1:V1.4.1:2002 EN301489-3:V1.4.1:2002, EN50371:2002, WN60065:2002

# Mirror Xtra Bright (DMX)

## ➤ TECHNICAL DRAWING

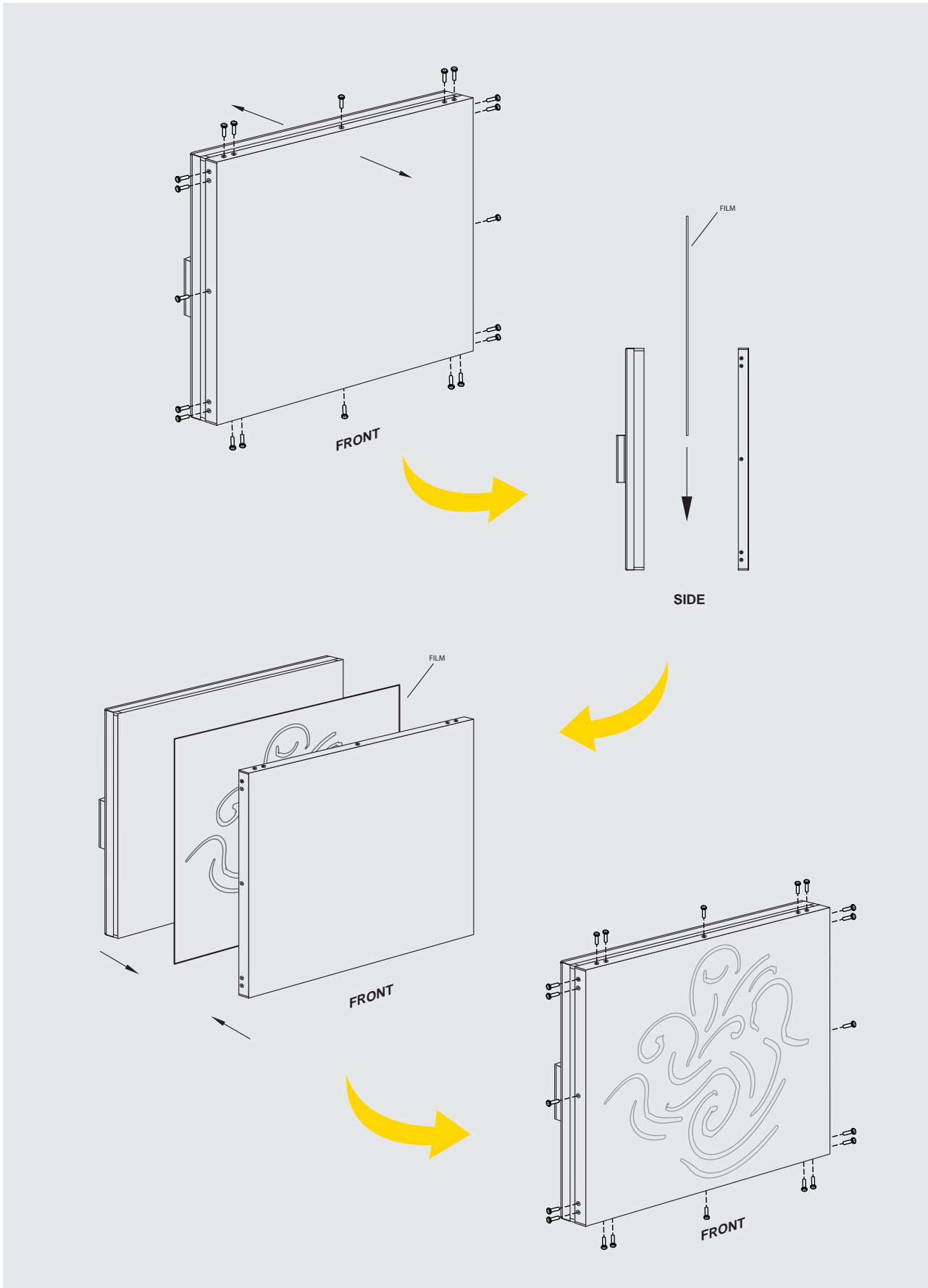


\* For further information, please refer to the product manual

© 2006 TRAXON TECHNOLOGIES ALL RIGHTS RESERVED. MOOD LIGHT™, TRAXON™, LIVINCOLORS™, LUXILED™ ARE TRADEMARKS OF TRAXONTECHNOLOGIES. U.S. PATENTS, E.U. PATENTS, JAPAN PATENTS, OTHER PATENTS PENDING. SPECIFICATIONS ARE SUBJECT TO CHANGE WITHOUT PRIOR NOTICE.

# Mirror Xtra Bright (DMX)

## TECHNICAL DRAWING - FILM INSTALLATION

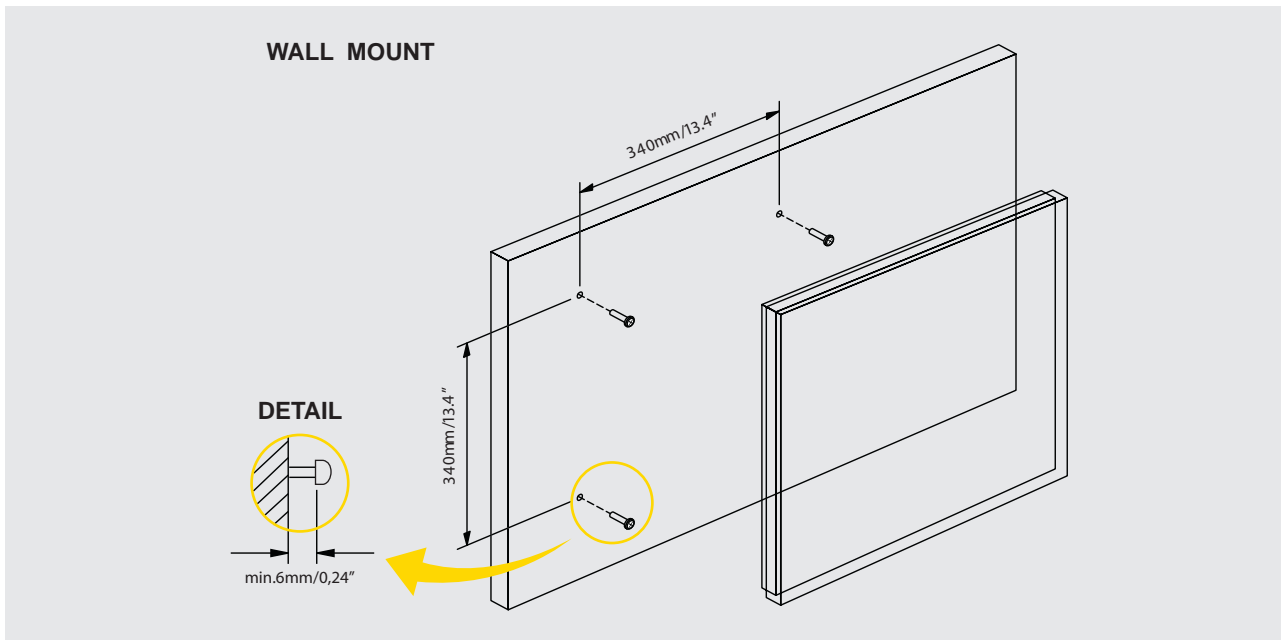


© 2006 TRAXON TECHNOLOGIES ALL RIGHTS RESERVED. MOOD LIGHT™, TRAXON™, LIVINCOLORS™, LUXILED™ ARE TRADEMARKS OF TRAXONTECHNOLOGIES. U . S . PATENTS, E.U. PATENTS, JAPAN PATENTS, OTHER PATENTS PENDING. SPECIFICATIONS ARE SUBJECT TO CHANGE WITHOUT PRIOR NOTICE.

SPECSHEET VERSION 1.5

## Mirror Xtra Bright (DMX)

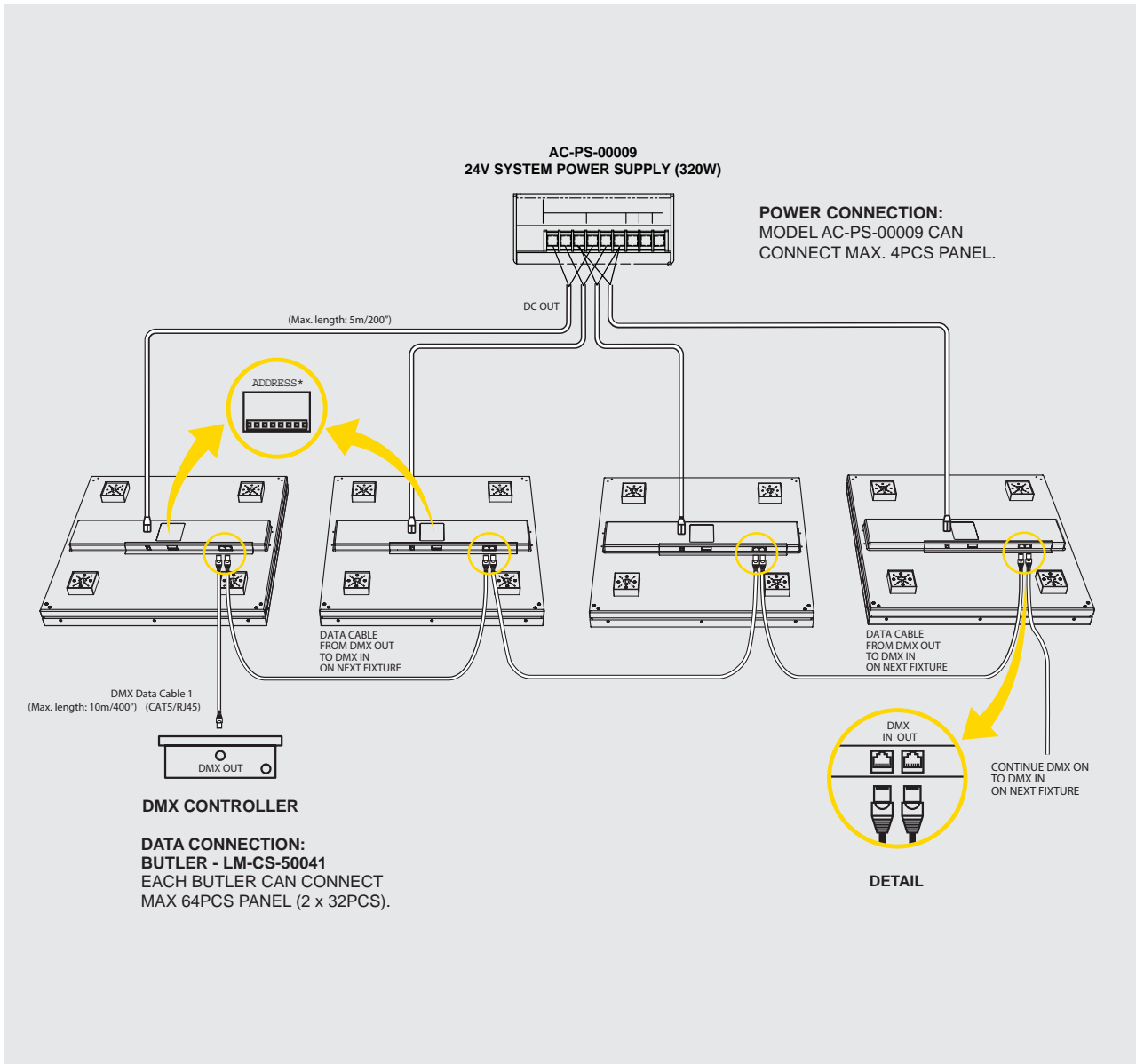
### ➤ MOUNTING - WALL MOUNT



© 2006 TRAXON TECHNOLOGIES ALL RIGHTS RESERVED. MOOD LIGHT™, TRAXON™, LIVINCOLORS™, LUXILED™ ARE TRADEMARKS OF TRAXONTECHNOLOGIES. U . S . PATENTS, E.U. PATENTS, JAPAN PATENTS, OTHER PATENTS PENDING. SPECIFICATIONS ARE SUBJECT TO CHANGE WITHOUT PRIOR NOTICE.

# Mirror Xtra Bright (DMX)

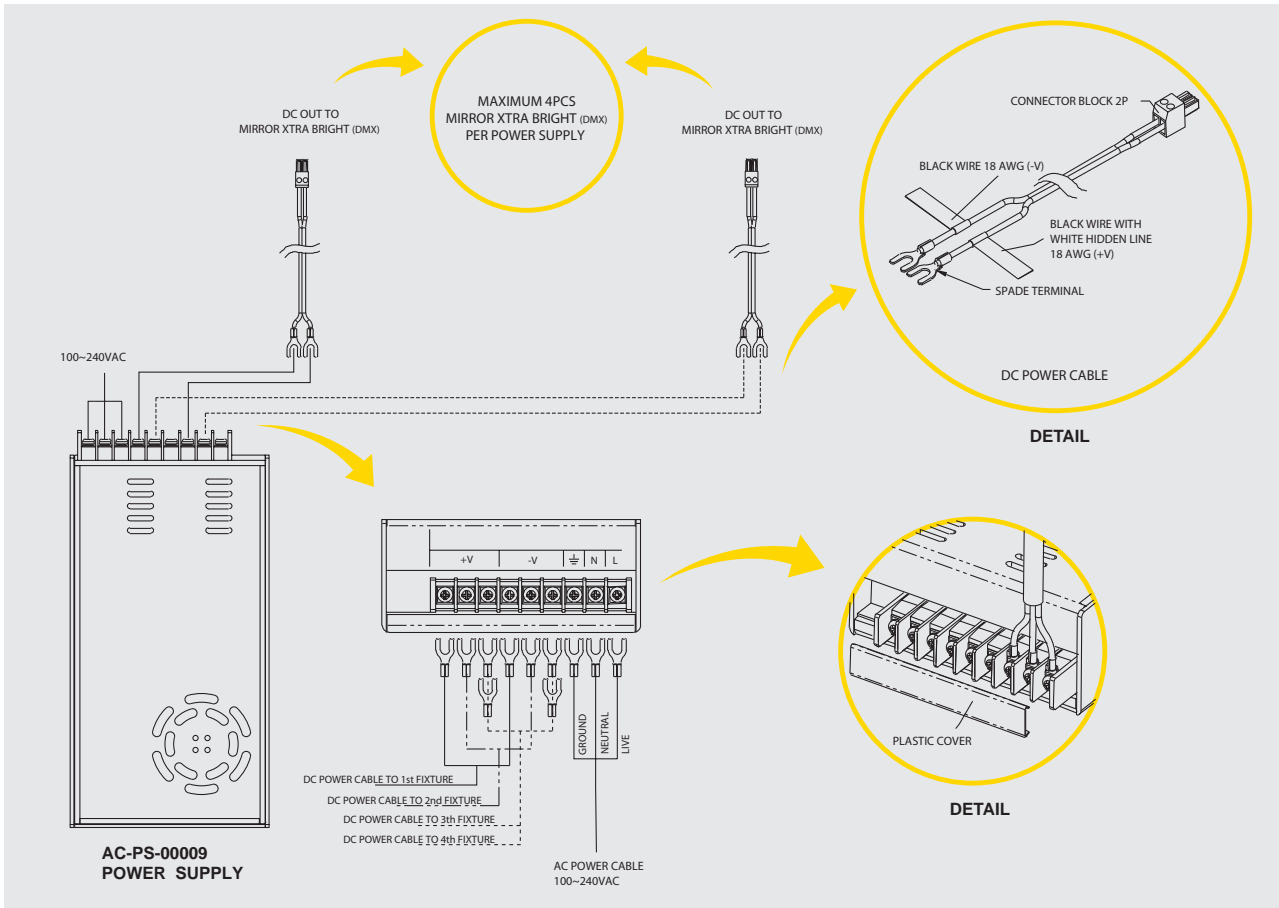
## TECHNICAL DRAWING - CONNECTION



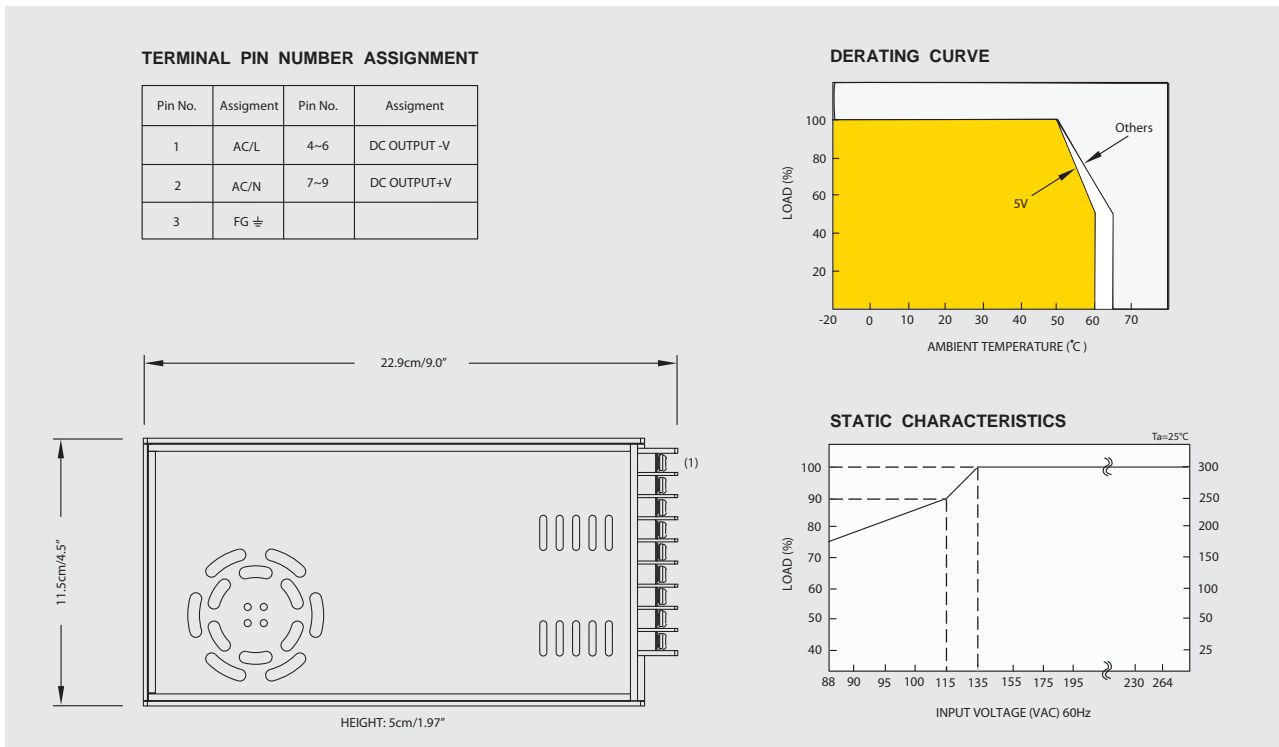
© 2006 TRAXON TECHNOLOGIES ALL RIGHTS RESERVED. MOOD LIGHT™, TRAXON™, LIVINCOLORS™, LUXILED™ ARE TRADEMARKS OF TRAXONTECHNOLOGIES. U.S. PATENTS, E.U. PATENTS, JAPAN PATENTS, OTHER PATENTS PENDING. SPECIFICATIONS ARE SUBJECT TO CHANGE WITHOUT PRIOR NOTICE.

# Mirror Xtra Bright (DMX)

## TECHNICAL SPECIFICATIONS - SYSTEM POWER SUPPLY



## TECHNICAL DRAWING - SYSTEM POWER SUPPLY



© 2006 TRAXON TECHNOLOGIES ALL RIGHTS RESERVED. MOOD LIGHT™, TRAXON™, LIVINCOLORS™, LUXILED™ ARE TRADEMARKS OF TRAXONTECHNOLOGIES. U. S. PATENTS, E.U. PATENTS, JAPAN PATENTS, OTHER PATENTS PENDING. SPECIFICATIONS ARE SUBJECT TO CHANGE WITHOUT PRIOR NOTICE.

SPECSHEET VERSION 1.5

## Mirror Xtra Bright (DMX)

### ➤ TECHNICAL SPECIFICATIONS - SYSTEM POWER SUPPLY

OUTPUT	<b>SYSTEM POWER SUPPLY:</b>	MODEL AC-PS-00009
	<b>DC VOLTAGE:</b>	24V
	<b>RATED CURRENT:</b>	13A
	<b>CURRENT RANGE:</b>	0~13A
	<b>RATED POWER:</b>	312W
	<b>RIPPLE &amp; NOISE (max):</b>	150mVp-p
	<b>VOLTAGE ADJ. ANGE</b>	20~26.4V
	<b>VOLTAGE TOLERANCE:</b>	± 1.0%
	<b>LINE REGULATION:</b>	± 0.2%
	<b>LOAD REGULATION</b>	± 0.5%
INPUT	<b>SETUP, RISE, HOLD TIME:</b>	800ms, 50ms, 16ms/230VAC; 2500ms, 50ms, 16ms/115VAC at full load
	<b>VOLTAGE RANGE:</b>	88~264VAC; 124~370VDC
	<b>FREQUENCY RANGE:</b>	47~63Hz
	<b>CURRENT RANGE:</b>	PF>0.95/230VAC; PF>0.98/115VAC at full load
	<b>EFFICIENCY:</b>	87%
	<b>AC CURRENT:</b>	2.5A/230VAC; 5A/115VAC
	<b>INRUSH CURRENT (max):</b>	40A/230VAC; 22A/115VAC
PROTECTION	<b>LEAKAGE CURRENT:</b>	<1mA/240VAC
	<b>OVER LOAD:</b>	105-135% rated output power Protection Type: Hiccup mode, recovers automatically after fault condition is removed
	<b>OVER VOLTAGE:</b>	27.6~32.4V Protection Type: Shut down O/P voltage, re-power on to recover
ENVIRONMENT	<b>OVER TEMPERATURE:</b>	80°C ± 5°C (70°C ± 5°C 3.3V, 5V only) (TSW1: Detect on heatsink of power transistor) Protection Type: Shut down O/P voltage, recovers automatically after temperature goes down
	<b>WORKING TEMPERATURE:</b>	-20 ~ +65°C (Refer to output load derating curve)
	<b>WORKING HUMIDITY:</b>	20~90% RH non-condensing
	<b>STORAGE TEMP., HUMIDITY:</b>	-40 ~ +85°C, 10~95% RH
SAFETY & EMC	<b>TEMP. COEFFICIENT:</b>	± 0.03%/°C (0~50°C)
	<b>VIBRATION:</b>	10~500Hz, 2G 10min./1cycle, 60min. Each along X, Y, Z axes
	<b>SAFETY STANDARDS:</b>	UL60950-1, TÜV EN60950-1 Approval
	<b>WITHSTAND VOLTAGE:</b>	I/P-O/P: 3KVAC; I/P-FG: 1.5KVAC; O/P-FG: 0.5KVAC
	<b>ISOLATION RESISTANCE:</b>	I/P-O/P, I/P-FG, O/P-FG: 100M Ohms/500VDC
OTHERS	<b>EMI CONDUCTION &amp; RADIATION:</b>	Compliance to EN55022 (CISPR22) Class B
	<b>HAMONIC CURRENT:</b>	Compliance to EN61000-3-2, -3
	<b>EMS IMMUNITY:</b>	Compliance to EN61000-4-2,3,4,5,6,8,11; ENV50204, EN55024, Light industry level, criteria A
OTHERS	<b>MTBF:</b>	207K hrs min. MIL-HDBK-217F (25°C)
	<b>DIMENSION:</b>	L215 x W115 x H50
	<b>PACKING:</b>	1.1kg; 12pcs/14kg/0.92CUFT

© 2006 TRAXON TECHNOLOGIES ALL RIGHTS RESERVED. MOOD LIGHT™, TRAXON™, LIVINCOLORS™, LUXILED™ ARE TRADEMARKS OF TRAXONTECHNOLOGIES. U.S. PATENTS, E.U. PATENTS, JAPAN PATENTS, OTHER PATENTS PENDING. SPECIFICATIONS ARE SUBJECT TO CHANGE WITHOUT PRIOR NOTICE.

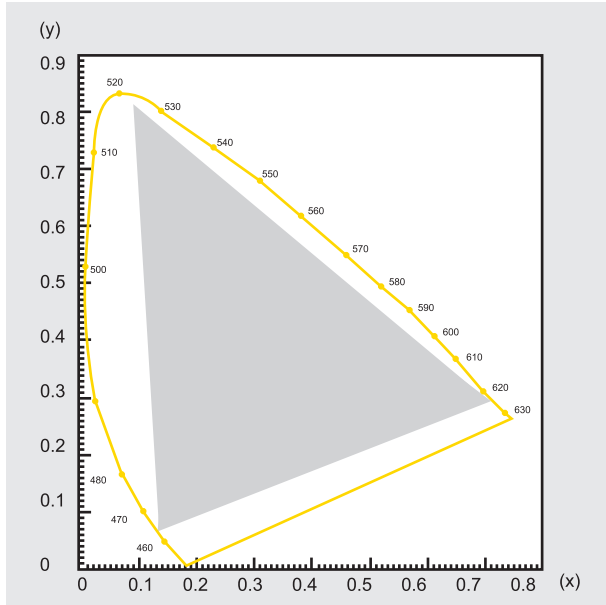
# Mirror Xtra Bright (DMX)

## PHOTOMETRIC PERFORMANCE

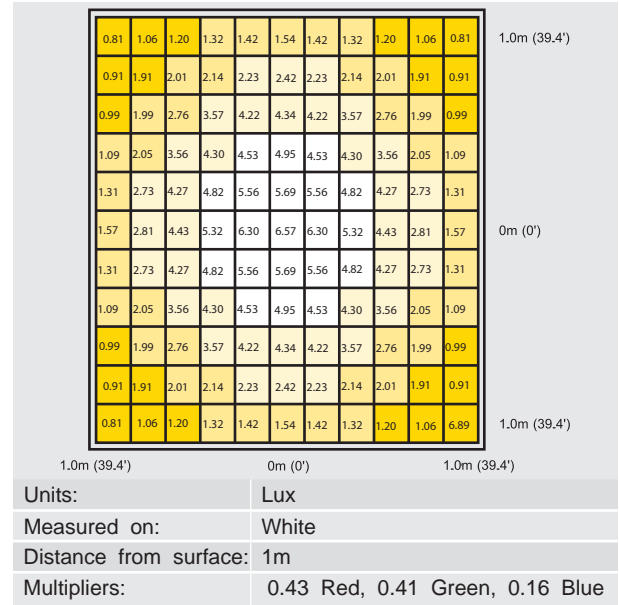
### SOURCE SPECIFICATIONS

<b>OPTICS:</b>	Mirror glass (with PP diffuser)
<b>SOURCE:</b>	64 LEDs (64 Red, 64 Green, 64 Blue)
<b>BEAM ANGLE:</b>	120° (50% maximum)
<b>DISTRIBUTION:</b>	Symmetric direct illumination
<b>CCT:</b>	Adjustable 1,000-10,000K

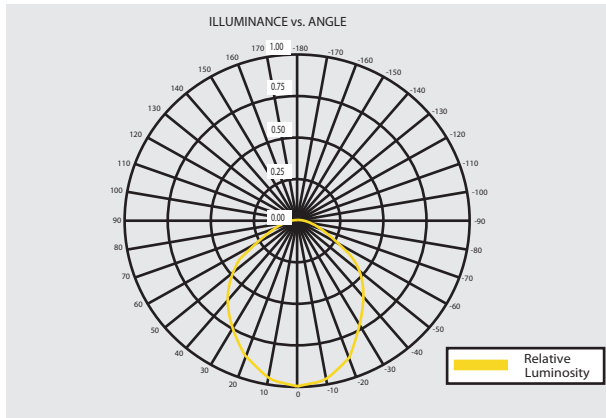
### GAMUT



### ILLUMINANCE DISTRIBUTION

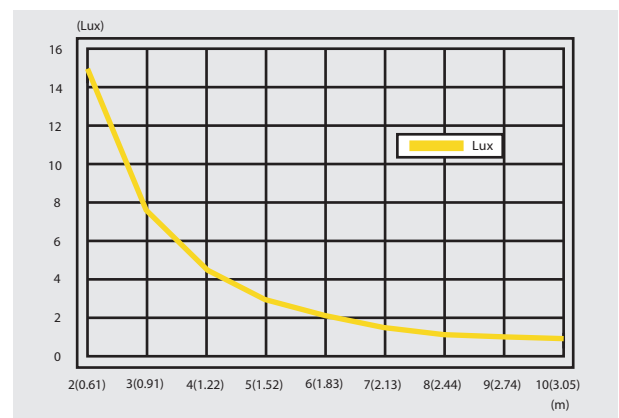


### GAMUT



ANGLE	LUX	ANGLE	LUX
90	0.03	0	6.57
80	0.4	-10	6.43
70	1.63	-20	6.12
60	2.84	-30	5.58
50	3.92	-40	4.85
40	4.85	-50	3.92
30	5.58	-60	2.84
20	6.12	-70	1.63
10	6.43	-80	0.4
0	6.57	-90	0.03

### ILLUMINANCE DISTRIBUTION



DISTANCE IN FT (m)	LUX
2 (0.61)	15.11
3 (0.91)	7.49
4 (1.22)	4.39
5 (1.52)	2.87
6 (1.83)	2.12
7 (2.13)	1.55
8 (2.44)	1.21
9 (2.74)	0.98
10 (3.05)	0.81

© 2006 TRAXON TECHNOLOGIES ALL RIGHTS RESERVED. MOOD LIGHT™, TRAXON™, LIVINCOLORS™, LUXILED™ ARE TRADEMARKS OF TRAXONTECHNOLOGIES. U.S. PATENTS, E.U. PATENTS, JAPAN PATENTS, OTHER PATENTS PENDING. SPECIFICATIONS ARE SUBJECT TO CHANGE WITHOUT PRIOR NOTICE.